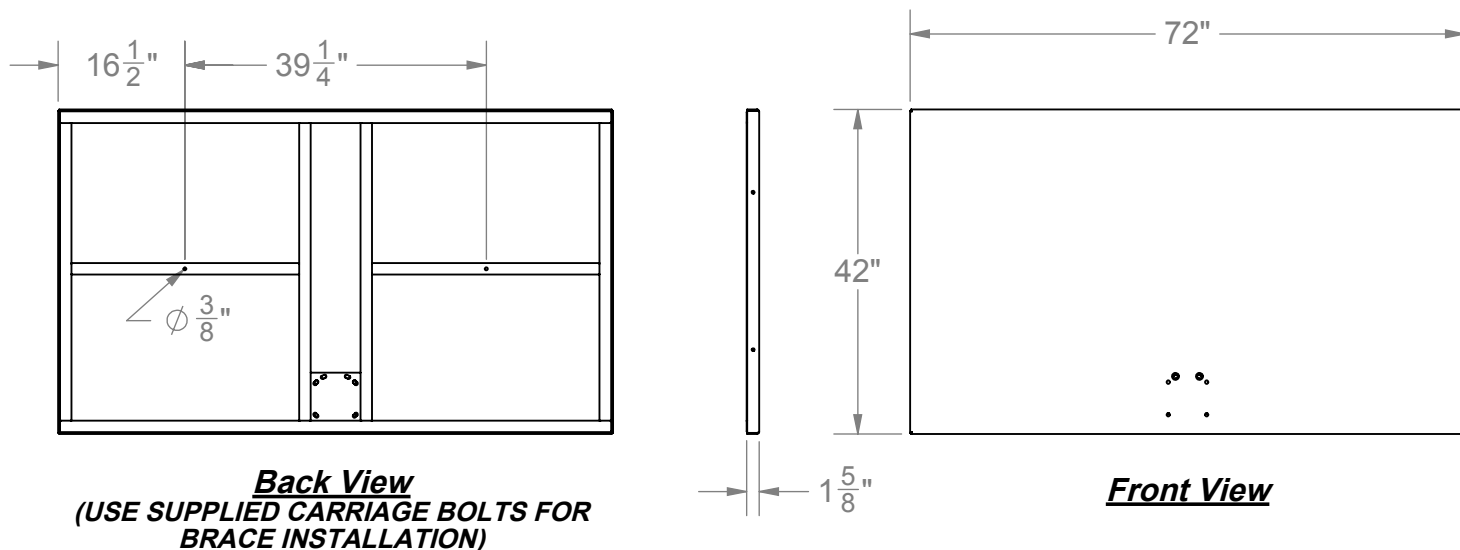


BASKETBALL BACKBOARD

MODEL #LA-12X 12 GAUGE STEEL RECTANGLE, WHITE (170 LBS)
(Steel board powder coated white after fabrication)



GENERAL:

Always use the goal ring holes to secure the backboard to the mounting plate.

1. Align countersunk holes with holes on mounting plate and attach with 3/8" x 1-1/4" flat head bolt.
NOTE: The flathead bolt will seat in the countersunk hole on face of backboard.


Caution: Flat washers must be used behind plate when mounting backboard.

NOTE: Rim & Backboard to be mounted secure to sleeve adapter (GNP). Then attach sleeve to Post and secure with set screws and drive pin.

2. Align Rim with holes on Backboard & mounting plate and attach with 3/8" x 1-1/4" Hex Head bolt. Flat Washers and Nylock Nuts.
3. Attach Assembled Rim/Backboard/Sleeve to Gooseneck Post.
4. For **Adjustable Offset Goals**, attach Rim & Backboard with requested hardware to the adjustable offset. Use other half clamp and attach assembly to bottom of post. Once all hardware is snug enough, slide assembly up the post to the desired height.
5. Use 7/32" hex key wrench to hole flathead bolt and secure with 3/8" flat washers and nuts.
6. Align the goal ring with the other four holes on the mounting plate and secure with hardware provided.
7. Adjust backboard to square and tighten all bolts. This backboard is equipped with a welded angle on the back for diagonal brace installation.

WARRANTY PERIOD: Limited lifetime Warranty.

*Diagonal Brace Installation: Diagonal brace installation varies depending on which upright post is ordered. Plumb backboard and goal ring true and level (shim if necessary). Tighten all hardware securely. Install net. If the goal ring is equipped with chain net, make sure all S-hooks are fully closed.

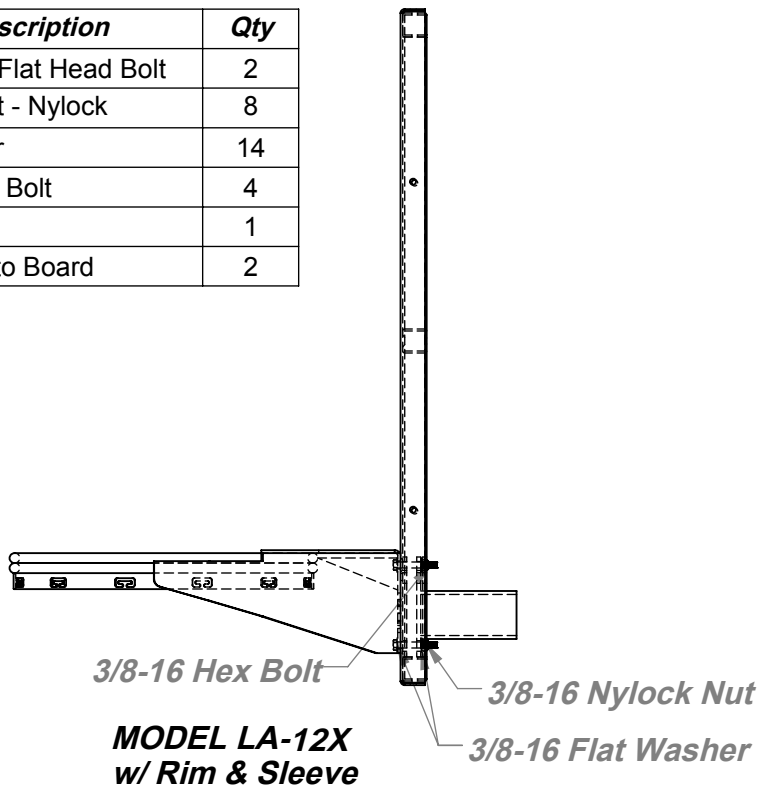
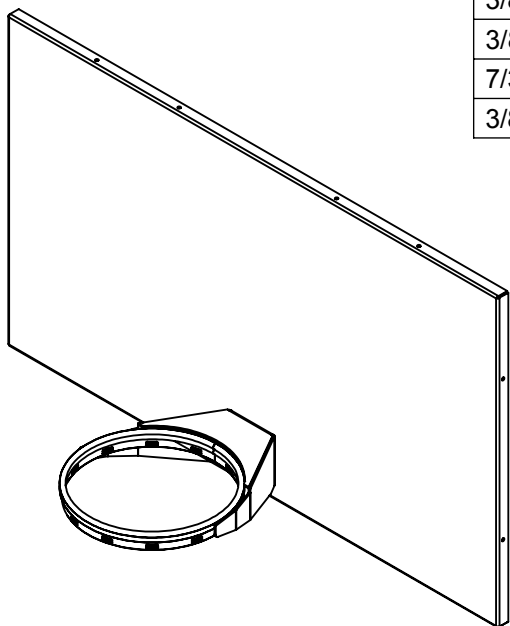
 <p>Steelcraft ELEMENTS FOR LIFE OUTSIDE™</p> <p>www.LASTEELCRAFT.com 1-800-371-2438</p>	Date: 4/8/15	SPECIFICATION / INSTALLATION INSTRUCTIONS
	Rev: DH4/30/20	
	Drawn: MT	MODEL NO.
	Sheet: 1 of 2	LA-12X

BASKETBALL BACKBOARD

MODEL #LA-12X 12 GAUGE STEEL RECTANGLE, WHITE (170 LBS)
(Steel board powder coated white after fabrication)

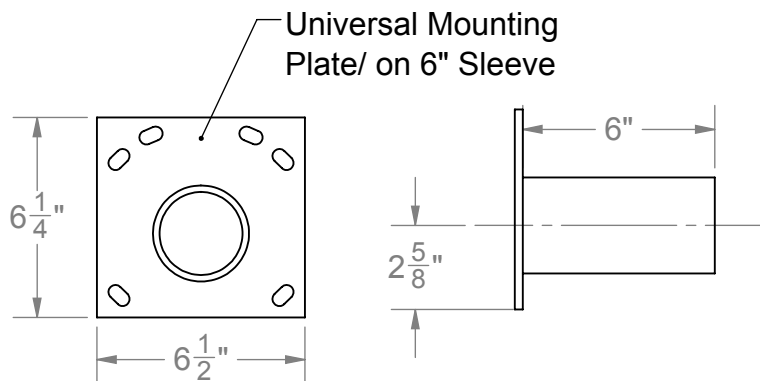
Backboard is fabricated from a single sheet of 12-gauge galvanized steel and heavily reinforced around the perimeter and interior with 2" x 2" x 3/16" Steel angle and powder coated white after fabrication.

Component Description	Qty
3/8"-16 x 2-1/2" Flat Head Bolt	2
3/8"-16 Lock Nut - Nylock	8
3/8" Flat Washer	14
3/8"-16 x 3" Hex Bolt	4
7/32" Wrench	1
3/8 x 1" Braces to Board	2



NOTE: Sleeves supplied with Gooseneck Post ONLY

Post Size	Sleeve Size
3.5"	3"
4.5"	4"
5.563"	5"
6.625"	6"



Diagonal Brace Installation: Diagonal brace installation varies depending on which upright post is ordered. Plumb backboard and goal right true and level (shim if necessary). Tight all hardware securely. Install net. If the goal ring is equipped with chain net, make sure all S-hooks are fully closed.



Date: 4/8/15
Rev: DH4/30/20
Drawn: MT
Sheet: 2 of 2

SPECIFICATION / INSTALLATION INSTRUCTIONS

12-GA STEEL RECTANGLE
BACKBOARD

MODEL NO.

LA-12X