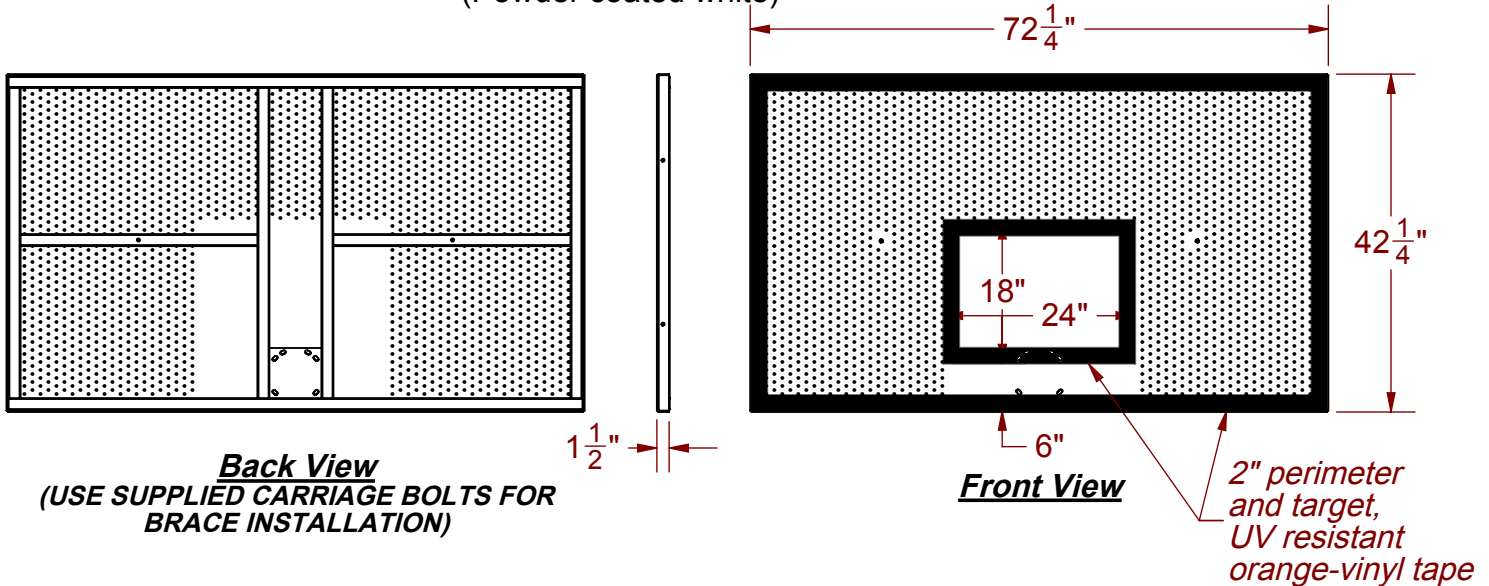


BASKETBALL BACKBOARD

MODEL #LA-12P

PERFORATED BACKBOARD (188 LBS)
(Powder coated white)



For installation of backboards to LA Steelcraft posts only. For other manufacturers posts and backboards please consult installations provided by that manufacturer. This backboard is equipped with a 6-hole mounting pattern. Two of the holes are countersunk on the face of the backboard. Note: These two holes are used for attaching the backboard to the mounting plate prior to mounting rim and to help free your hands for goal ring installation. Always use the four goal ring holes to secure the backboard to the mounting plate.

1. Align the countersunk holes on the face of the backboard with the top two holes on the mounting plate and secure with 3/8" X 2-1/2" flat head bolts, 3/8" washers and nuts. Use the 7/32" hex key wrench to hold flat head bolt while tightening. Note: The flat head bolts will seat in the countersunk holes on the face of the backboard.

NOTE: Rim & Backboard to be mounted secure to sleeve adapter (GNP). Then attach sleeve to Post and secure with set screws and drive pin.


1. Align Rim with holes on Backboard & mounting plate and attach with 3/8" x 2" Hex Head bolt. Flat Washers and Nylock Nuts.
2. Attach Assembled Rim/Backboard/Sleeve to Gooseneck Post.
3. For **Adjustable Offset Goals**, attach Rim & Backboard with requested hardware to the adjustable offset. Use other half clamp and attach assembly to bottom of post. Once all hardware is snug enough, slide assembly up the post to the desired height.

Caution: Flat washers must be used behind plate when mounting backboard.

2. Align four holes in the mounting plate and backboard with the goal ring holes and secure goal ring with 3/8" X 2-1/2" hex bolts, flat washers and nuts.
3. Adjust backboard to square and tighten all bolts.
4. For brace pipe installation align holes in the inner vertical frame supports and secure with 3/8" X 2-1/2" Flat Head bolts, flat washers and nuts.

WARRANTY PERIOD: Limited Lifetime Warranty.

Note: Hardware comes separately with each item (i.e. rim, backboard, & post)

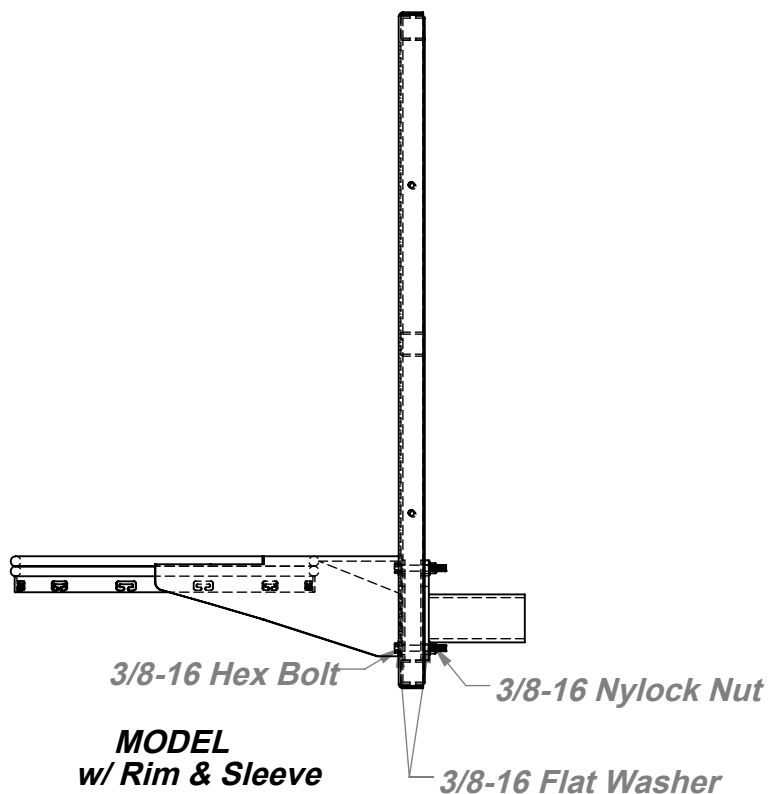
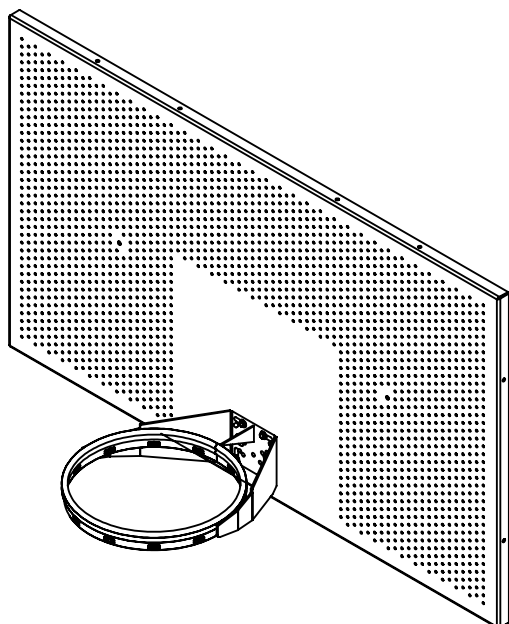
 <p>www.LASTEELCRAFT.com 1-800-371-2438</p>	Date: 4/15/2015	SPECIFICATION / INSTALLATION INSTRUCTIONS
	Rev: DH4/30/20	
	Drawn: MT	MODEL NO.
	Sheet: 1 of 2	#LA-12P

BASKETBALL BACKBOARD

MODEL #LA-12P PERFORATED BACKBOARD (188 LBS)
(Powder coated white)

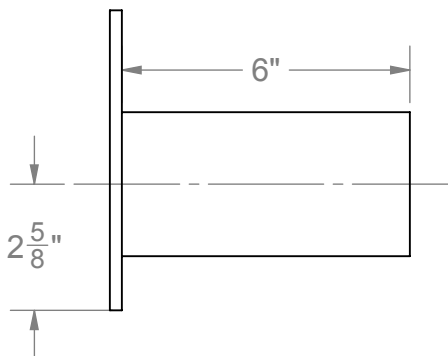
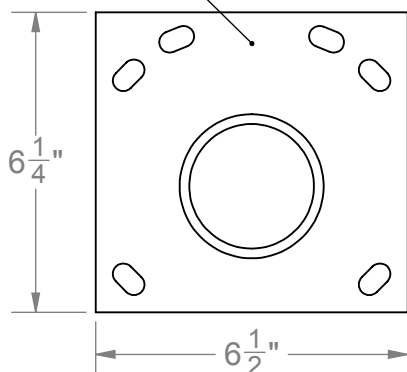
Diagonal Brace Installation: Diagonal brace installation varies depending on which upright post is ordered. Plumb backboard and goal right true and level (shim if necessary). Tight all hardware securely. Install net. If the goal ring is equipped with chain net, make sure all S-hooks are fully closed.

Component Description	Qty
3/8" x 2-1/2" Flat Head Bolt	4
3/8"-16 Lock Nut - Nylock	8
3/8" Flat Washer	12
3/8"-16 x 3" Hex Bolt	4
7/32" Hex Key	1



NOTE: Sleeves supplied with Gooseneck Post

Universal Mounting Plate/ on 6" Sleeve



Date: 4/8/15
Rev: DH4/30/20
Drawn: MT
Sheet: 2 of 2

SPECIFICATION / INSTALLATION INSTRUCTIONS

PERFORATED RECTANGLE BASKETBALL BACKBOARD

MODEL NO.

#LA-12P