

BACK-TO-BACK SINGLE POST W/ADJUSTABLE OFFSETS

MODEL #LA-12044

4-1/2" O.D. W/4' OFFSET (285lbs)

SPECIFICATIONS:

A heavy-duty 4-1/2" O.D. galvanized steel upright post with top end capped, and that supports an adjustable 4ft. offset.

Adjustable offset assembly is of welded construction consisting of 2 pieces of 2-3/8" O.D. galvanized steel (one horizontally and one diagonally), welded to a 1/4"x6-1/4"x6-1/2" steel backboard mount plate at both ends.

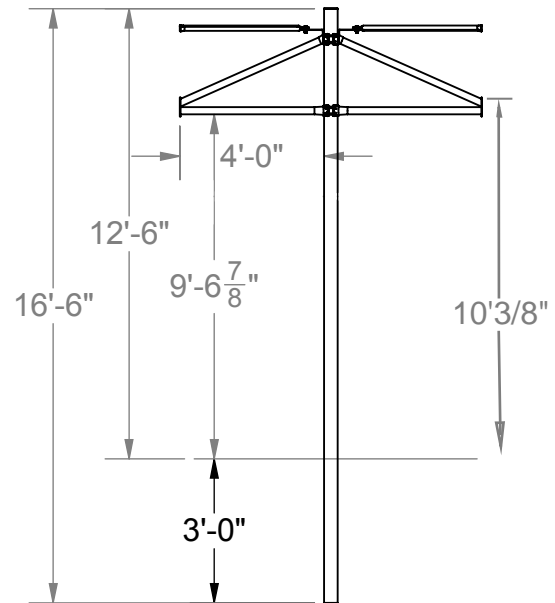
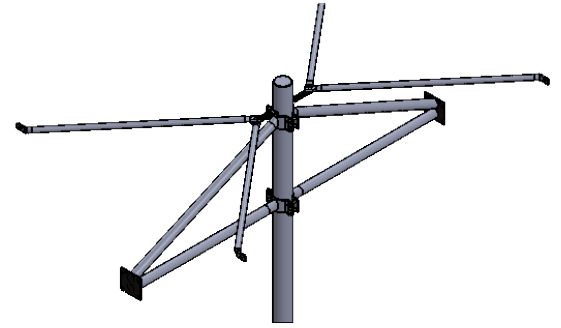
Heavy-duty 1/4" thick half clamps, formed to fit the diameter of the post, secure to the support post with (8) 1/2" diameter bolts.

A pair of braces made of 1" O.D. galvanized steel are mounted between the backboard and the adjustable offset.

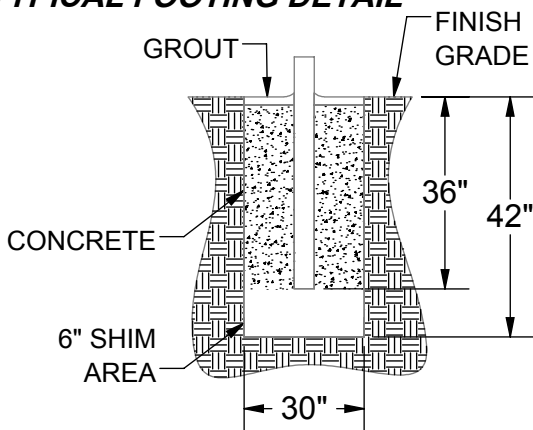
All hardware is zinc-coated for long rust free service.

Warranty Period: Limited Lifetime

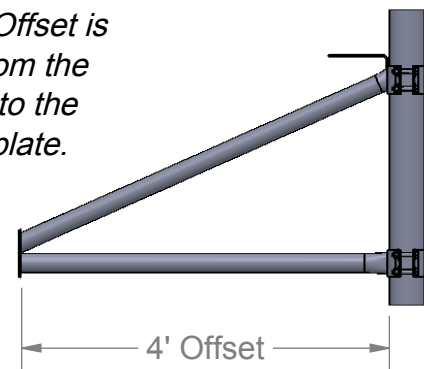
Post depth's are approximate, and should be adjusted to insure that the top of the mounting plate is 10' 0-3/8" above the finish grade.



TYPICAL FOOTING DETAIL



NOTE: Our Offset is measured from the front of post to the front of mtg plate.



Date: 1/21/2015

Rev: DH4/29/20

Drawn: MT

Sheet: 1 of 2

PRODUCTION SHOP DRAWING

SINGLE POST W/ ADJUSTABLE OFFSET

MODEL NO.

LA-12044

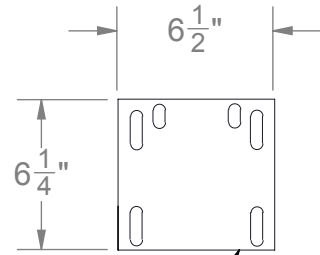
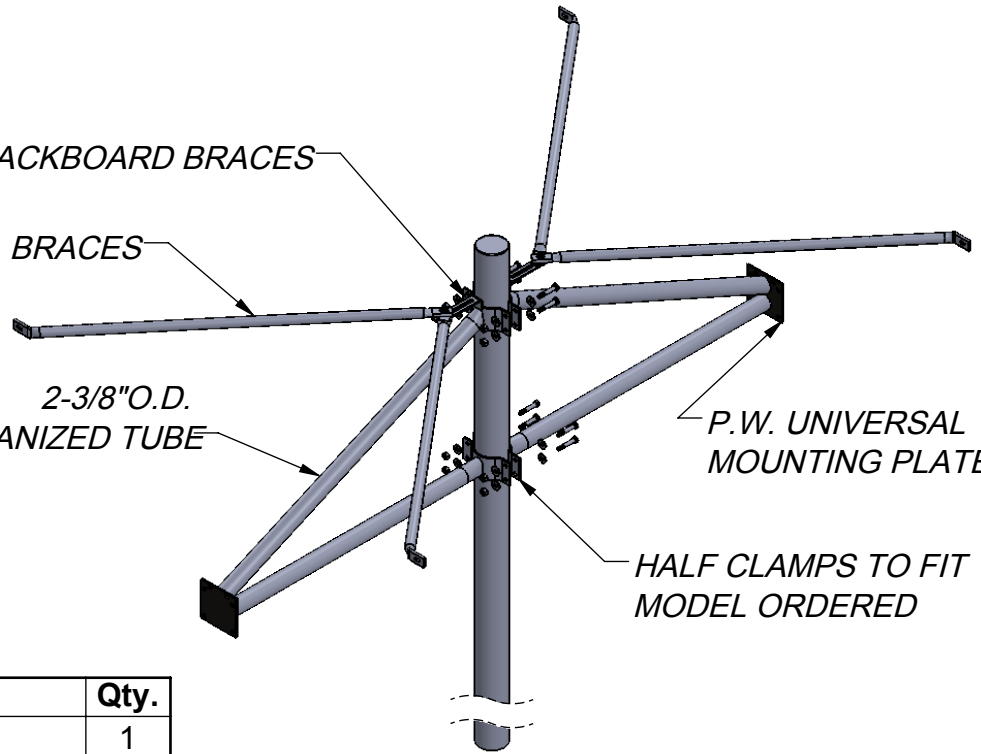
TAB FOR BACKBOARD BRACES

DIAGONAL BRACES

2-3/8" O.D.
GALVANIZED TUBE

P.W. UNIVERSAL
MOUNTING PLATE

HALF CLAMPS TO FIT
MODEL ORDERED



Bottom of Universal
Mounting Plate

| Packing Slip | Qty. |
|-------------------------------|------|
| 4-1/2" O.D. Post | 1 |
| 4' Adjustable Offset Assembly | 2 |
| Diagonal Braces | 4 |
| Hardware Kit | Qty. |
| 5/8" x 1" Zinc Set Screw | 1 |
| 3/8" Zinc Set Screw | 4 |
| 3/8"-16 x 2" Hex Bolt | 2 |
| 3/8"-16 Lock Nut | 2 |
| 3/8" Flat Washer | 4 |
| 1/2"-13 x 3-1/2" Hex Bolt | 8 |
| 1/2"-13 Lock Nut | 8 |
| 1/2" Flat Washer | 16 |

INSTALLATION INSTRUCTIONS:

1. Dig a hole in desired location per footing chart dimensions (see sheet 1). Set the bottom of the support post in the hole & shim from below & brace so THE CAP IS ON TOP & the top of the post is 12'-6" above finish grade. Plumb post true vertical & brace. Pour concrete to 2" below finish grade. Allow concrete to set for 3 days before removal of bracing & completion of installation. Cover footing with court materials.
2. Adjustable offset assemblies are equipped w/ half clamps formed to fit the diameter of the post. Single offsets are equipped w/ back-up half clamps. Set clamps back-to-back over the post at ground level. Use 1/2" x 3 1/2" hex bolts, washers & lock nuts to attach (8 total are provided). Tighten hardware slightly.
3. Slide the offset assembly up the post until the top of the backboard mounting plate 3/8" above the goal ring height desired. Align offsets w/ court(s). Tighten clamp bolts securely. Note: Official goal ring height is 10ft, but height is adjustable.
4. Attach 4' braces to offset assemblies. Attach both the straight (non-formed) ends to the mounting tabs.
5. Attach to backboard. Use backboard install for installation instructions.



Date: 1/21/2015
 Rev: DH4/29/20
 Drawn: MT
 Sheet: 2 of 2

PRODUCTION SHOP DRAWING

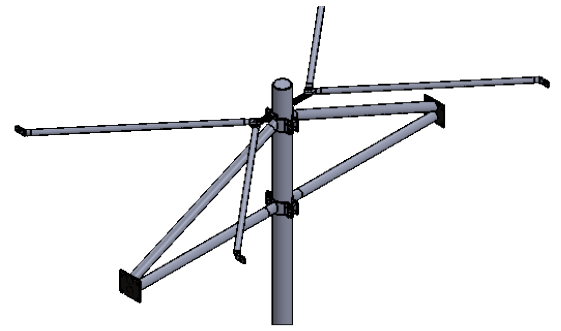
SINGLE POST W/ ADJUSTABLE OFFSET

MODEL NO.

LA-12044

Pick ticket

Pab to provide post and adjustable offset
Shipping to pull braces hardware and half clamps.



| Part Number | Packing Slip | Qty. |
|-------------|-------------------------------|------|
| | 4-1/2" O.D. Post | 1 |
| | 4' Adjustable Offset Assembly | 2 |
| CIADJ4 | Diagonal Braces | 4 |
| | Hardware Kit | Qty. |
| HWSC581 | 5/8" x 1" Zinc Set Screw | 1 |
| HWSC3858 | 3/8" x 5/8" Zinc Set Screw | 4 |
| HWHB382 | 3/8"-16 x 2" Hex Bolt | 2 |
| HWLN38 | 3/8"-16 Lock Nut | 2 |
| HWFLWA38 | 3/8" Flat Washer | 4 |
| HWHB12312 | 1/2"-13 x 3-1/2" Hex Bolt | 8 |
| HWLN12 | 1/2"-13 Lock Nut | 8 |
| HWFLWA12 | 1/2" Flat Washer | 16 |