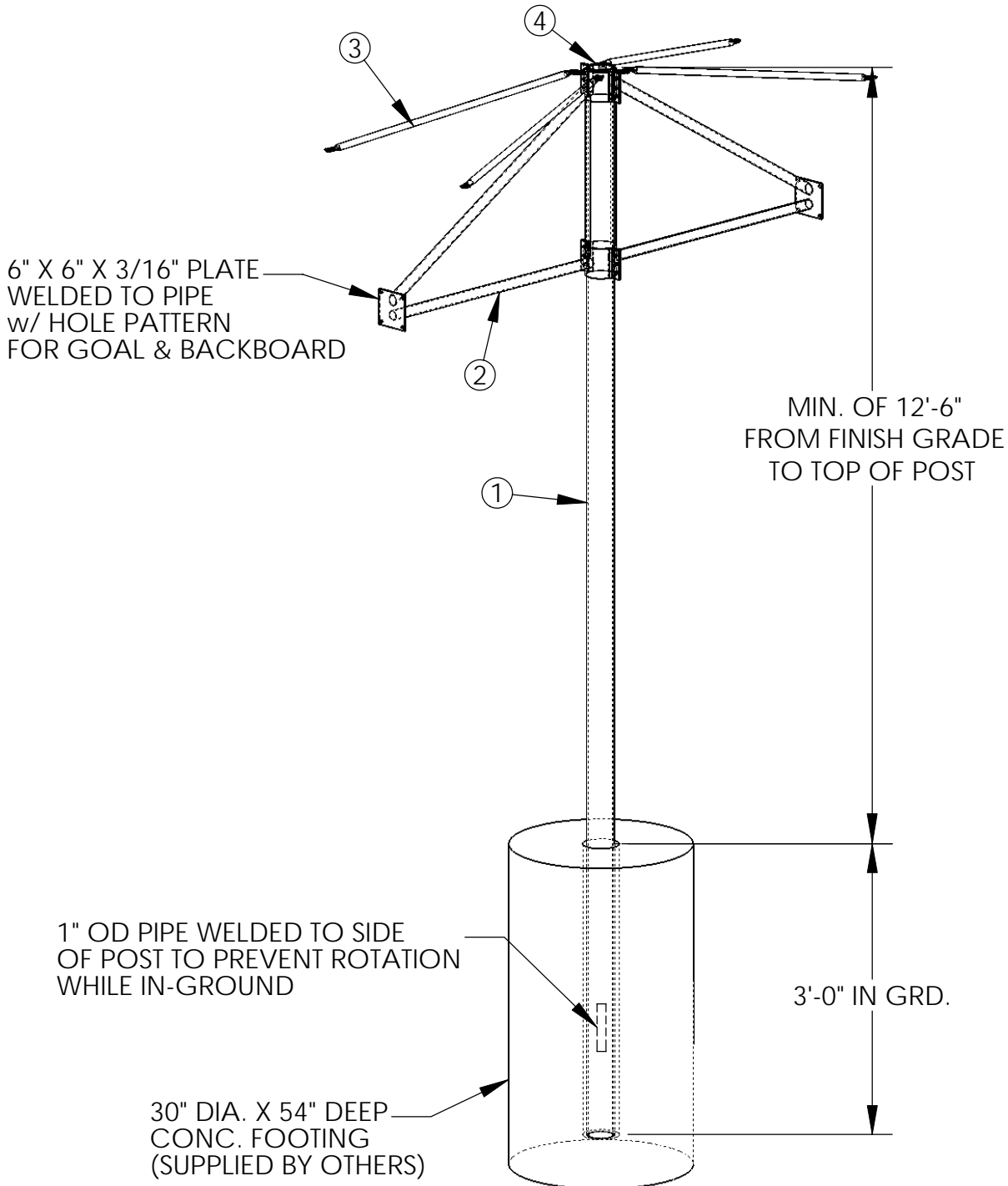


**NOTE: NUMBER OF BRACES VARIES BY MODEL OF BACKBOARD**



ITEM	QTY.	DESCRIPTION
1	1	3-1/2" OD GALV. PIPE @ 15'-6" w/ 3'-0" EXT.
2	2	3'-0" EXT. FRAME
3	4	1" OD GALV. TUBE BRACING
4	1	ALUMINUM POST CAP

**NOTE: SPECIFICATIONS ARE SUBJECT TO CHANGE**

DO NOT SCALE DRAWING

DATE: 5/18/06

DRAWN BY: AFS