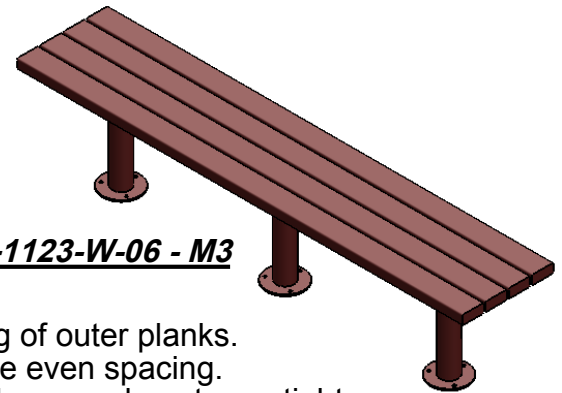
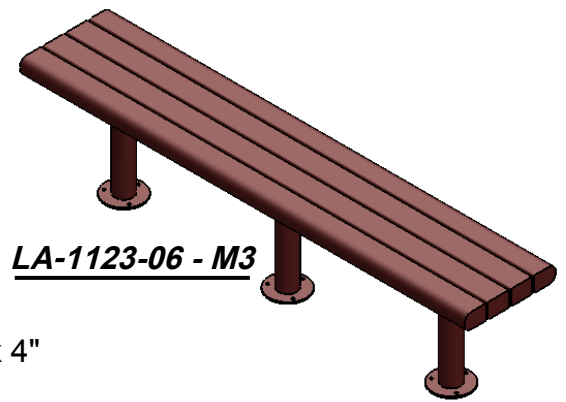


RECYCLED PLASTIC BENCH

- MODEL LA-1123-04 4 FT. 3" x 4" RCP BENCH
- MODEL LA-1123-W-04 4 FT. 2" x 4" RCP BENCH
- MODEL LA-1123-06 6 FT. 3" x 4" RCP BENCH
- MODEL LA-1123-W-06 6 FT. 2" x 4" RCP BENCH
- MODEL LA-1123-08 8 FT. 3" x 4" RCP BENCH
- MODEL LA-1123-W-08 8 FT. 2" x 4" RCP BENCH

SPECIFICATIONS:

1. LEG FRAME: 2-3/8" O.D. galvanized steel welded to 3/16" x 4" steel seat support.
2. PLANKS: Recycled 3" x 4" nominal (2-1/2" x 3-1/2") 2" x 4" nominal (1-1/2" x 3-1/2") HDPE plastic.
3. CENTER SUPPORT: 3/16" x 4" steel seat support.
4. HARDWARE: All hardware is Stainless Steel.



INSTALLATION INSTRUCTIONS:

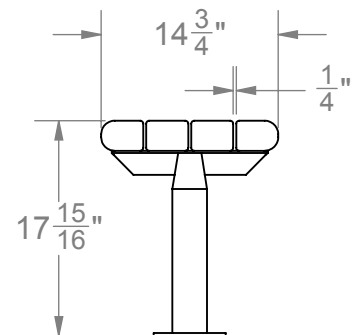
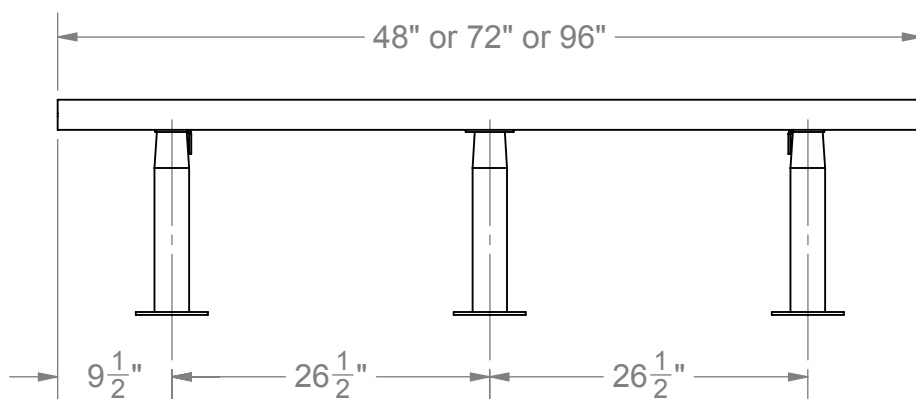
1. To install planks to the frame, place planks upside down.
2. Place the frame on top of planks centered with even overhang of outer planks.
3. Insert the 1/4" spacers provided, between the planks, to insure even spacing.
4. Install the self tapping screws through the frame into the planks snug do not over tighten (Some adjustment may be required).

For M1 permanent mounting:

Lower the assembled bench into footing holes. Block or shim from below so that top of bench plank is 18" above finish grade. Pour concrete up to 2" of finish grade for a field install or level with finish grade for slab install. Let concrete set for 3 days before removal of bracing. Cover footing with turf/soil.

For M2, M3, & M4 permanent mounting:

Hardware; 1/4" x 2" Self Tapping SScrew.
Hardware not included in package.



**4 FT. BENCH ONLY
HAVE 2 LEGFRAMES**



Date: 4/1/15
Rev: 121720SS
Drawn: MT
Sheet: 1 of 2

SPECIFICATION / INSTALLATION INSTRUCTIONS

3" x 4" RECYCLED PLASTIC BENCH

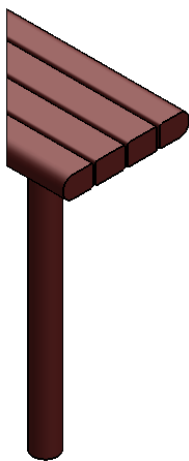
MODEL NO.

LA-1123

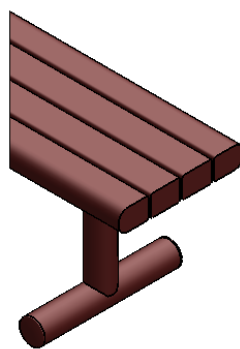
3" x 4" RECYCLED PLASTIC BENCH

Component Description	Qty
M1 Bench Frame Assembly	3
M2 Bench Frame Assembly	3
M3 Bench Frame Assembly	3
3" x 4" RCP Plank	4
1/4" x 2" Wood Screw	12
1/4" Flat Washer	12
1/4" Spacers	4

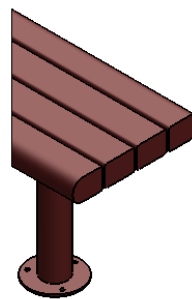
INSTALLING RECYCLED PLASTIC PLANKS:
 It is important when installing the recycled plastic planks that you **DO NOT** tighten any screws past finger tight when assembling. This is particularly important when assembling the ADA option on tables. After assembly is complete and all hardware is installed finger tight, then go back and **SNUG** all screws to complete assembly. It is important to watch for movement on the recycled plastic when doing the final tightening sequence. Planks may become out of alignment if you over-tighten hardware. **DO NOT** install wood Screws at an angle.



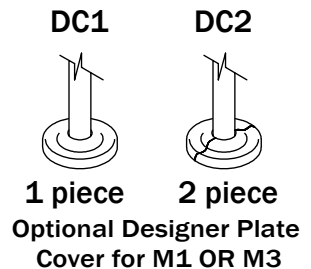
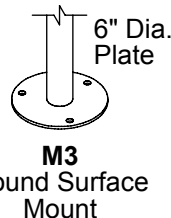
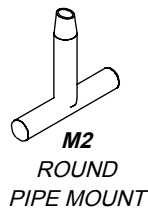
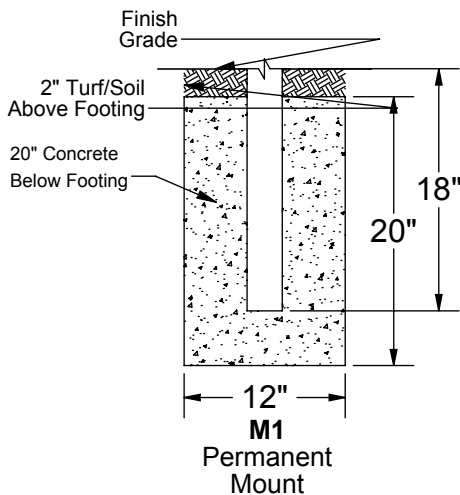
LA-1123-06
M1 MOUNT



LA-1123-06
M2 MOUNT



LA-1123-06
M3 MOUNT



Date: 4/1/15
 Rev: 121720SS
 Drawn: MT
 Sheet: 2 of 2

SPECIFICATION / INSTALLATION INSTRUCTIONS

3" x 4" RECYCLED PLASTIC BENCH

MODEL NO.

LA-1123