

SITE FURNISHINGS

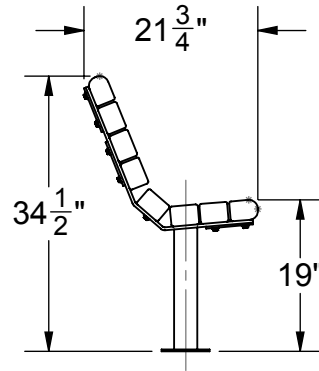
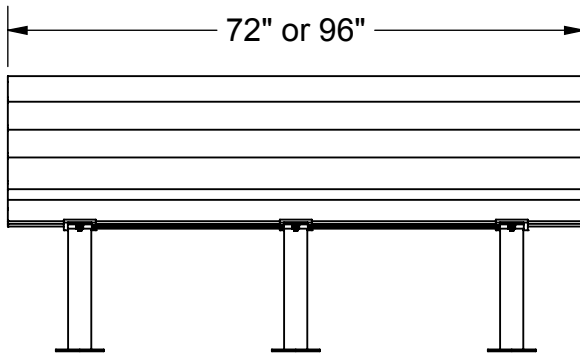
MODEL LA-1118-06	6 FT. BENCH w/ 3" x 4" RECYCLED PLASTIC PLANKS
MODEL LA-1118-08	8 FT. BENCH w/ 3" x 4" RECYCLED PLASTIC PLANKS
MODEL LA-1118-16	6 FT. BENCH w/ 2" x 4" RECYCLED PLASTIC PLANKS
MODEL LA-1118-18	8 FT. BENCH w/ 2" x 4" RECYCLED PLASTIC PLANKS

Materials:

Steel: Steel plate and bar conform to the requirements of ASTM A36.
 Steel tube conforms to the requirements of ASTM A787 and A653.
 Welding conforms to the requirements of the American Welding Society's specifications for the material being welded.

Plastic: Plastic lumber conforms to the requirements of Polytuf HDPE plastic lumber requirements.

Finish: Steel components available galvanized or coated with polyester TGIC powder coat finish meeting AAMA 2604-02 specification. All fasteners shall be Stainless Steel.



Date: 10/1/15
 Rev: SS10517
 Drawn: MT
 Sheet: 1 of 2

SPECIFICATION / INSTALLATION INSTRUCTIONS

RECYCLED PLASTIC BENCH

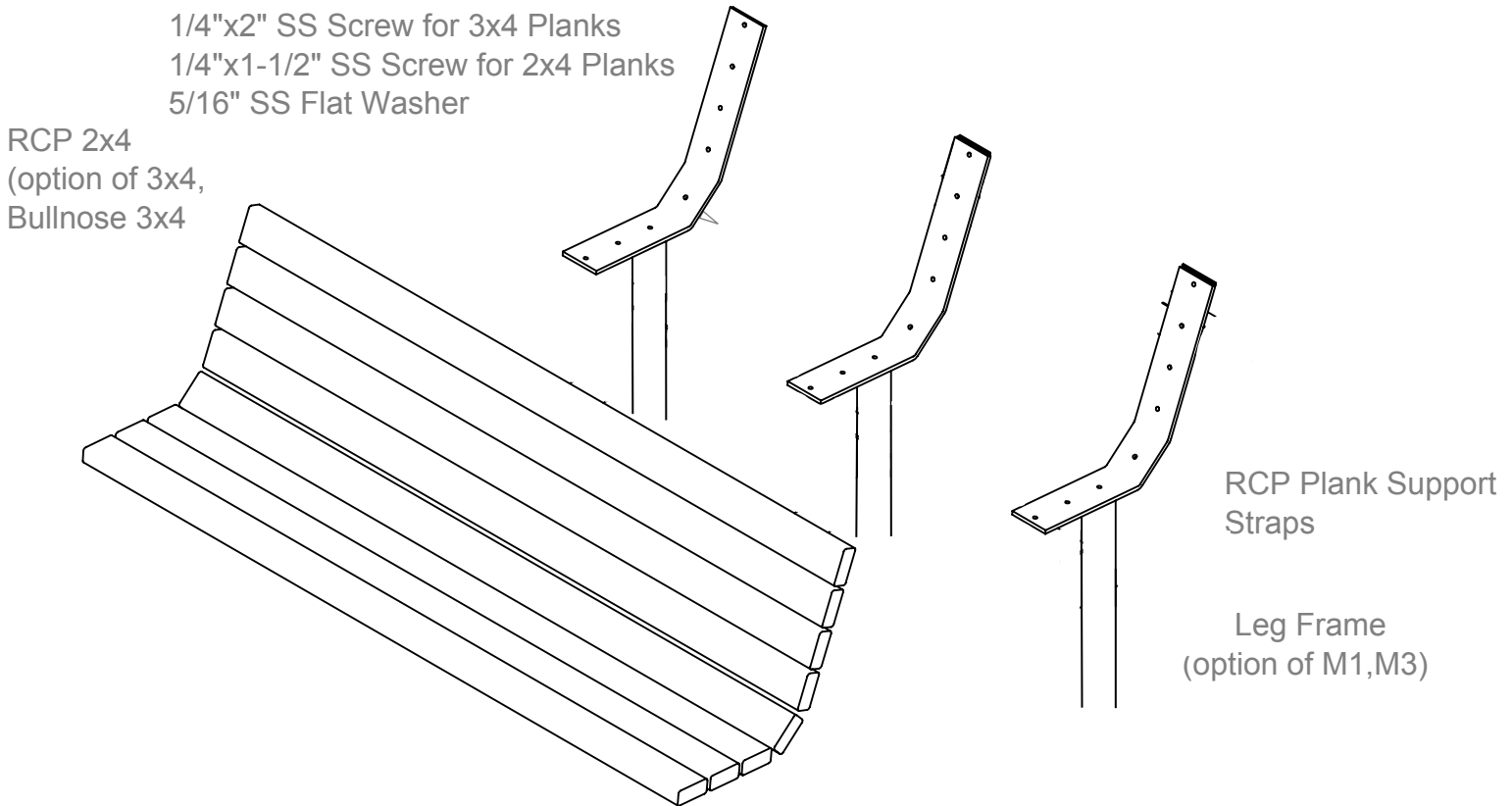
MODEL NO.

LA-1118 (-06) (-08) (-16) (-18)

INSTALLATION INSTRUCTIONS

1. Lay the leg frames on the ground resting on the backrest. Line the planks up with the frames evenly spaced.
Align other leg frames and repeat. **NOTE:** Leave all screws loose until all planks are in place.
2. Repeat (Step1) for remaining planks after Support Strap Cross Braces are attached with Wood Screws.
3. When all planks are attached to leg frames, tighten all screws. **See note below.**
4. Dig footing holes per **M1** permanent mount drawing on sheet 1. Required footing size may vary depending on local soil conditions and building codes.
5. Lower the assembled bench into footing holes. Block or shim from below so that top of bench plank is 18" above finish grade. **NOTE:** The round tube of the leg frame should be at 90 degrees to finish grade so that the seat of the bench will be slightly tipped back.
6. Pour concrete up to 2" below finish grade for a field install or level with finish grade for a slab install. Let concrete set for 3 days before removal of bracing. Cover field install footings with turf.

M3/M4 Surface Mount Installation: Attach mounting plates to foundation using hardware purchased separately.



INSTALLING RECYCLED PLASTIC PLANKS:

It is important when installing the recycled plastic planks that you **DO NOT** tighten any screws past finger tight when assembling. This is particularly important when assembling the ADA option on tables. After assembly is complete and all hardware is installed finger tight, then go back and **SNUG** all screws to complete assembly. It is important to watch for movement on the recycled plastic when doing the final tightening sequence. Planks may become out of alignment if you over-tighten hardware.

ITEM #	2x4 Qty.	3x4 Qty.	DESCRIPTION
1	8	6	Recycled Plastic Plank
2	0	2	Recycled Plastic Plank Bullnose
3	3	3	Leg Frame
4	3	3	Leg Frame Stiffner Brace (M2 only)
5	24	0	1/4" x 1-1/2" SS Screw
6	0	24	1/4" x 2" SS Screw
7	24	24	5/16" SS Flat Washer
8	4	4	1/4" Spacer



Date: 10/1/15
Rev: SS10517
Drawn: MT
Sheet: 2 of 2

SPECIFICATION / INSTALLATION INSTRUCTIONS

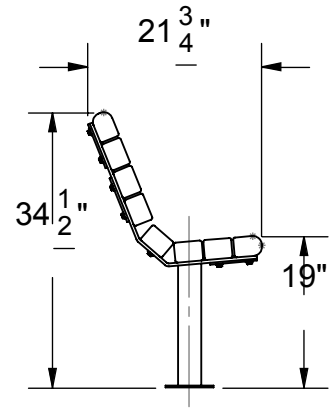
RECYCLED PLASTIC BENCH

MODEL NO.

LA-1118 (-06) (-08) (-16) (-18)

Pick Ticket

Fabrication to provide frames Shipping to provide plank and hardware
Bench Doesn't ship assembled



ITEM #	2x4 Qty.	3x4 Qty.	DESCRIPTION
1	8	6	Recycled Plastic Plank
2	0	2	Recycled Plastic Plank Bullnose
3	3	3	Leg Frame
4	3	3	Leg Frame Stiffner Brace (M2 only)
5	24	0	1/4" x 1-1/2" SS Screw
6	0	24	1/4" x 2" SS Screw
7	24	24	5/16" SS Flat Washer
8	4	4	1/4" Spacer