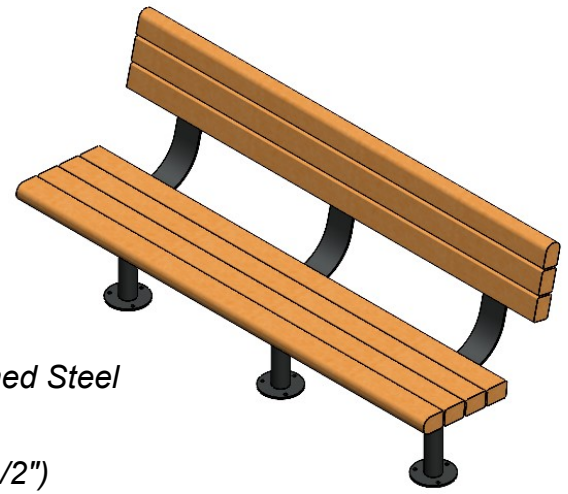


SITE FURNISHINGS

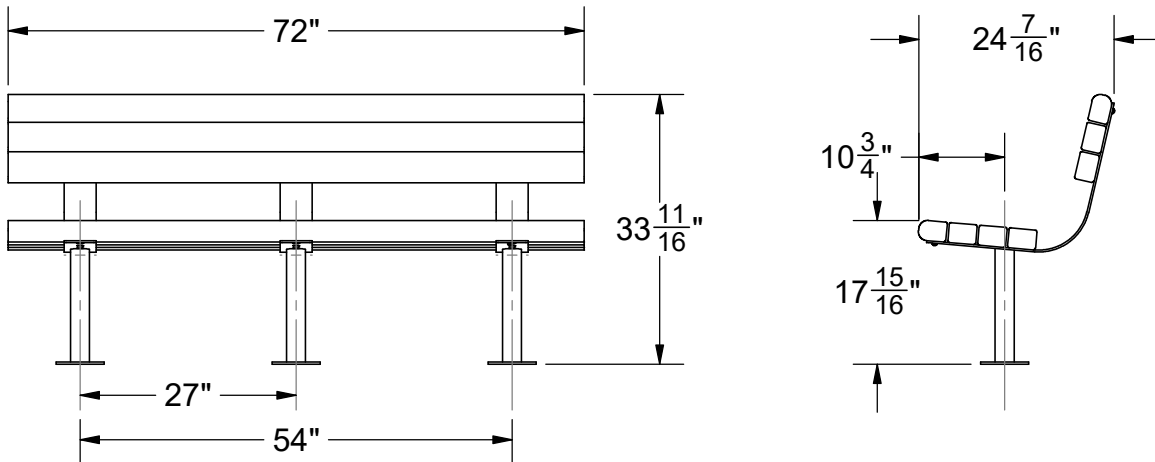
MODEL LA-1113-04 4 FT. 3"x4" RCP PLANK BENCH W/ BACK
 MODEL LA-1113-06 6 FT. 3"x4" RCP PLANK BENCH W/ BACK
 MODEL LA-1113-08 8 FT. 3"x4" RCP PLANK BENCH W/ BACK



SPECIFICATIONS:

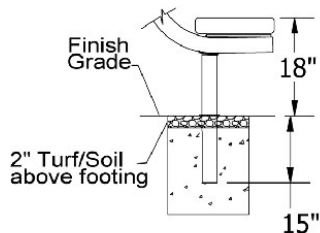
- LEG FRAME:** 2-3/8" O.D. Galv. Steel Post welded to 4" Formed Steel Flat Bar & a 4" x 16" Steel Surface Plate.
- PLANKS:** Recycled 3" x 4" HDPE plastic. (Actual 2-1/2" x 3-1/2")
- HARDWARE:** All hardware is stainless steel.

FOR POWDER COAT COLORS AND RECYCLED PLASTIC COLORS SEE BACK-INSIDE COVER OF PATTERSON-WILLIAMS CATALOG



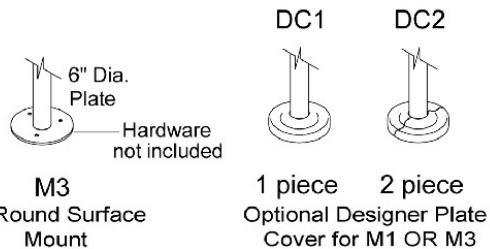
4 FT. BENCH ONLY HAVE 2 LEGFRAMES

(Note: Bench must be anchored. Anchoring hardware not included.)



M1
Permanent Mount

MOUNTING OPTIONS



M3
Round Surface Mount

DC1 **DC2**
1 piece 2 piece
Optional Designer Plate Cover for M1 OR M3



Date: 11/17/15
 Rev: JN3/4/22
 Drawn: MT
 Sheet: 1 of 2

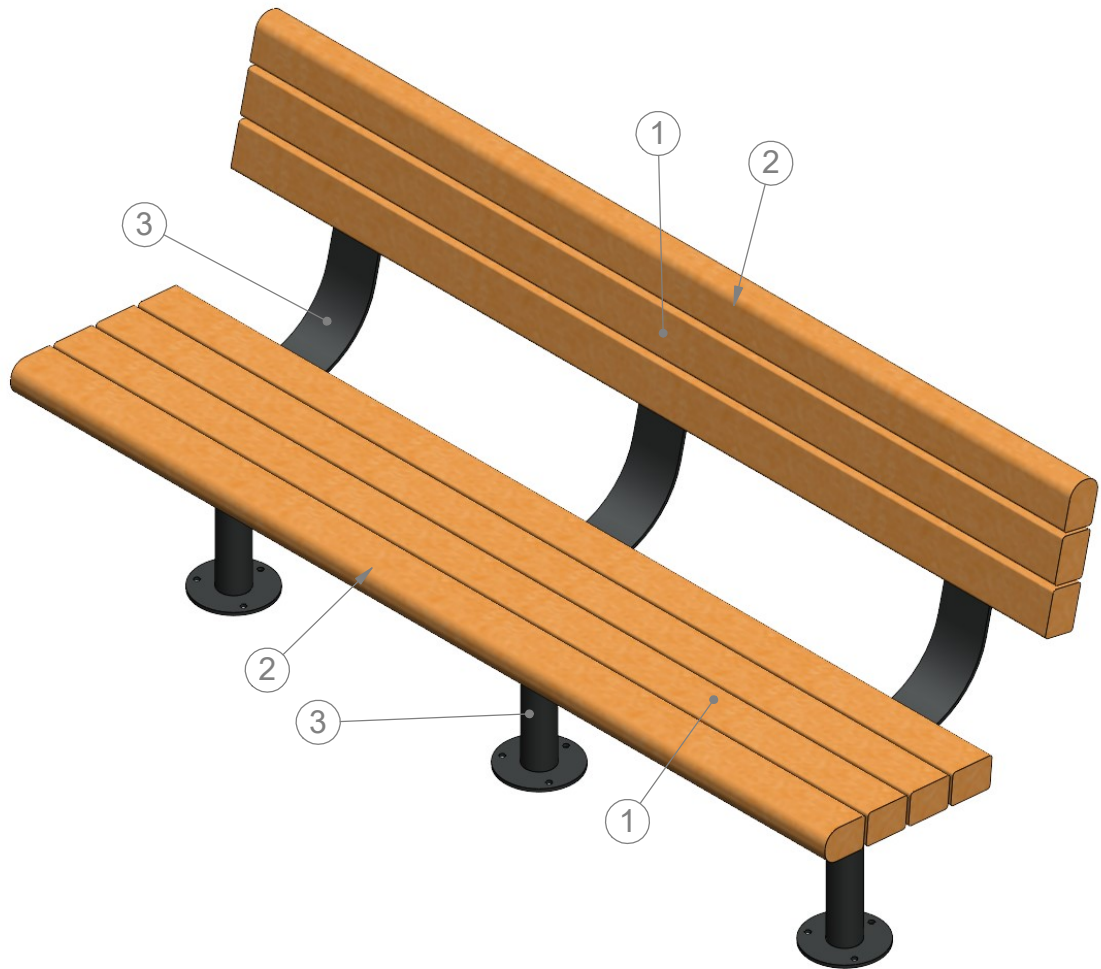
SPECIFICATION / INSTALLATION INSTRUCTIONS

3" x 4" RECYCLED PLASTIC BENCH WITH BACK

MODEL NO.

LA-1113

SITE FURNISHINGS



INSTALLATION INSTRUCTIONS:

1. To install planks to the frame, line up pre-drilled starter holes in planks with slotted holes in 4" Formed Flat Bar strap.
2. Insert the 3/8" spacers provided, between the planks, to insure even spacing.
3. Install the self tapping screws through the frame into the pre-drilled starter holes in planks (Some adjustment may be required).
4. Repeat steps (2 & 3) for backrest planks.

INSTALLING RECYCLED PLASTIC PLANKS:

It is important that when installing the recycled plastic planks that you **DO NOT** tighten any screws past finger tight when assembling. This is particularly important when assembling the ADA option on tables. After assembly is complete and all hardware is installed finger tight, then go back and **SNUG** all screws to complete assembly. It is important to watch for movement on the recycled plastic when doing the final tightening sequence. Planks may become out of alignment if you over-tighten hardware.

ITEM	MATERIAL LIST:	QTY	QTY	QTY
1	PLANKS (4 FT, 6 FT, OR 8 FT)	5	5	5
2	BULLNOSE PLANKS	2	2	2
3	LEG FRAMES	2	3	3
4	FORMED CENTER SUPPORT	-	-	2
5	5/16" x 2" Lag Screw	14	21	21
6	5/16" Flat Washer	14	21	21
7	3/8" Spacers	4	4	4



Date: 11/17/15

Rev: JN3/4/22

Drawn: MT

Sheet: 2 of 2

SPECIFICATION / INSTALLATION INSTRUCTIONS

3" x 4" RECYCLED PLASTIC
BENCH WITH BACK

MODEL NO.

LA-1113