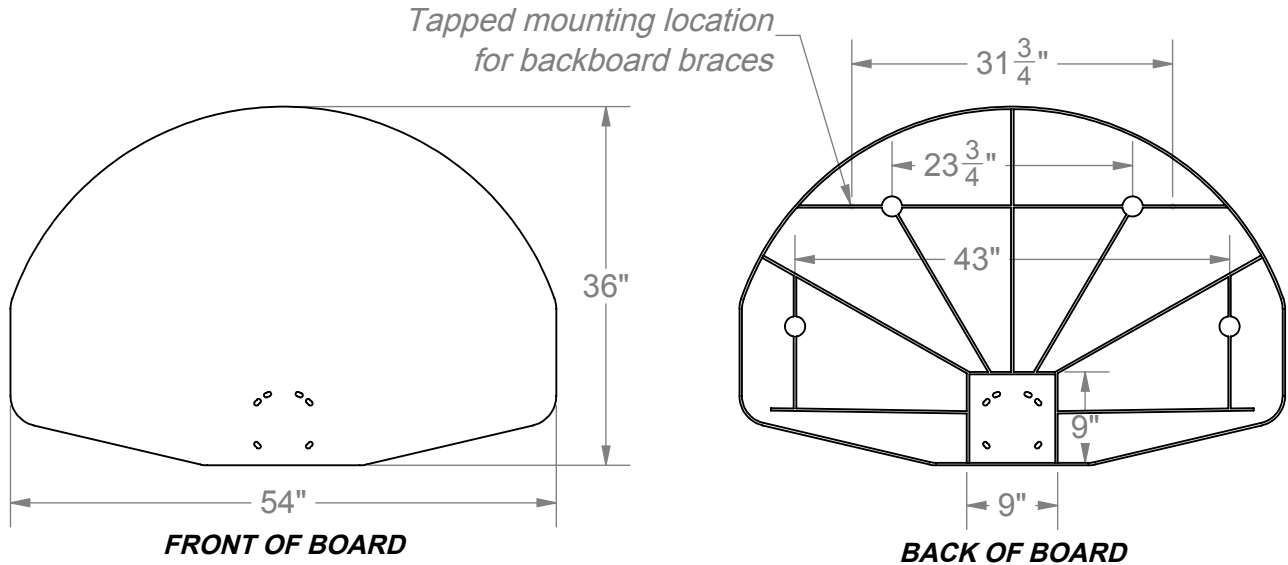


BASKETBALL BACKBOARD

MODEL #LA-11 HEAVY DUTY CAST ALUMINUM POWDER COATED WHITE (50 LBS)



Instructions for installation of backboards to LA Steelcraft posts ONLY. For other manufacturer's posts and backboards, please consult installation instructions provided by that manufacturer.

MATERIALS:

Aluminum Backboard: #LA-11 have one-piece permanent mold of 3/16" thick minimum cast aluminum alloy with 1-1/2" deep perimeter flange and reinforcing ribs. Tapped mounting holes and goal ring holes are also heavily reinforced. Edges are rounded and casting has a smooth finish. Finish is semi-gloss, powder coated white.

Warranty Period: Limited Lifetime Warranty

NOTE: Rim & Backboard to be mounted secure to sleeve adapter (GNP). Then attach sleeve to Post and secure with set screws and drive pin.

1. Align Rim with holes on Backboard & mounting plate and attach with 3/8" x 1-1/2" Hex Head bolt. Flat Washers and Nylock Nuts.
2. Attach Assembled Rim/Backboard/Sleeve to Gooseneck Post.
3. For **Adjustable Offset Goals**, attach Rim & Backboard with requested hardware to the adjustable offset. Use other half clamp and attach assembly to bottom of post. Once all hardware is snug enough, slide assembly up the post to the desired height.


CAUTION: Flat washers must be used behind plate when mounting backboard.

4. Adjust Rim/Top assembled unit to be square and tighten all bolts.

NOTE: Hardware comes separately with each item (i.e. rim, backboard, and post)

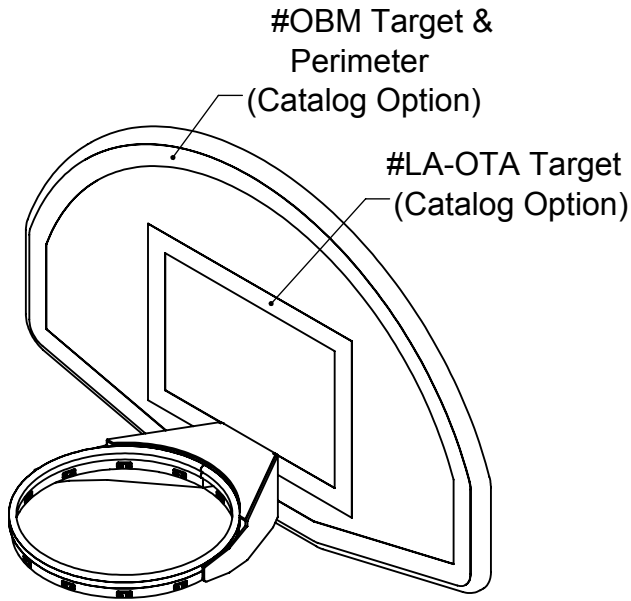
Component Description	Qty
3/8"-16 Lock Nut - Nylock	2
3/8" Flat Washer	4
3/8"-16 x 1-1/2" Flat Head Bolt	2
3/8"-16 x 3/4" Hex Bolt for Braces	2

FOR USE ON MODEL 1577:	Qty
3/8"-16 Lock Nut - Nylock	2
3/8" Flat Washer	4
3/8" - 16 x 3/4" Hex bolt for Braces	2
3/8"-16 x 2-1/2" Flat Head Bolts	2
3/4" Backboard Spacer	1

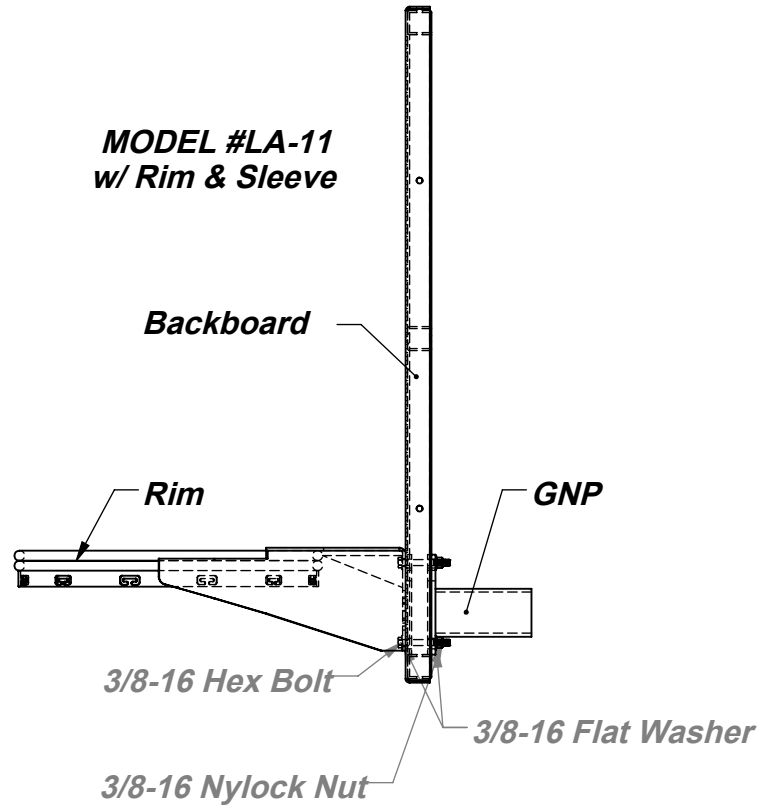
 <p>LA Steelcraft ELEMENTS FOR LIFE OUTSIDE™</p> <p>www.LASTEELCRAFT.com 1-800-371-2438</p>	Date: 4/8/15	SPECIFICATION / INSTALLATION INSTRUCTIONS	
	Rev: DH4/30/20		ALUMINUM "FAN" BASKETBALL BACKBOARD
	Drawn: MT	MODEL NO.	LA-11
	Sheet: 1 of 3		

BASKETBALL BACKBOARD

MODEL #LA-11 HEAVY DUTY CAST ALUMINUM POWDER COATED WHITE (50 LBS)

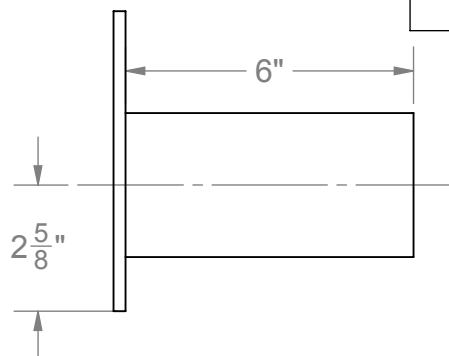
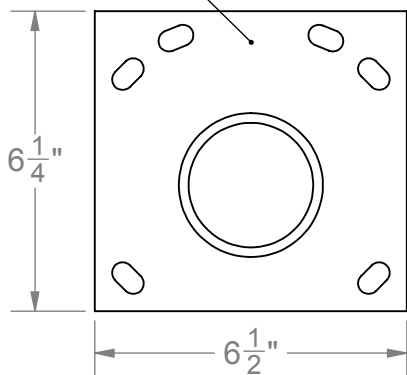


**MODEL #LA-11
w/ Rim & Sleeve**



NOTE: Sleeves supplied with Gooseneck Post ONLY

Universal Mounting
Plate/ on 6" Sleeve



Post Size	Sleeve Size
3.5"	3"
4.5"	4"
5.563"	5"
6.625"	6"



Date: 4/8/15
 Rev: DH4/30/20
 Drawn: MT
 Sheet: 2 of 3

SPECIFICATION / INSTALLATION INSTRUCTIONS

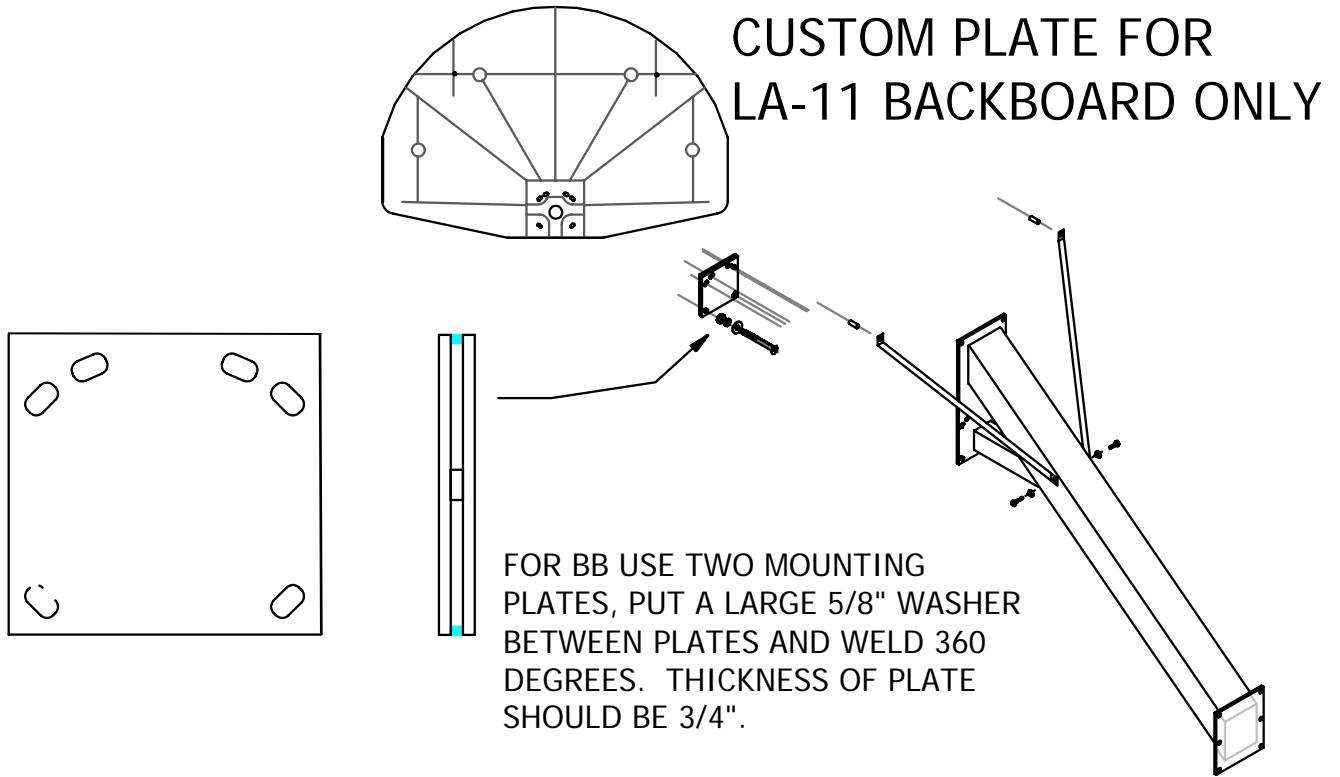
ALUMINUM "FAN" BASKETBALL BACKBOARD


MODEL NO.

LA-11

BASKETBALL BACKBOARD

MODEL LA-11 HEAVY DUTY CAST ALUMINUM POWDER COATED WHITE (50 LBS)



 <p>www.LASTEELCRAFT.com 1-800-371-2438</p>	Date: 4/8/15	SPECIFICATION / INSTALLATION INSTRUCTIONS
	Rev: DH4/30/20	<i>ALUMINUM "FAN" BASKETBALL BACKBOARD</i>
	Drawn: MT	MODEL NO.
	Sheet: 3 of 3	LA-11

Pick Ticket

Internal use only return to office with packet

Shipping to pull Backboard and hardware nothing required from Fabrication.

Component Description	Qty
3/8"-16 Lock Nut - Nylock	2
3/8" Flat Washer	4
3/8"-16 x 1-1/2" Flat Head Bolt	2
3/8"-16 x 3/4" Hex Bolt for Braces	2

FOR USE ON MODEL 1576 & 1577	Qty
3/8"-16 Lock Nut - Nylock	2
3/8" Flat Washer	4
3/8" - 16 x 3/4" Hex bolt for Braces	2
3/8"-16 x 2-1/2" Flat Head Bolts	2
3/4" Backboard Spacer	1

