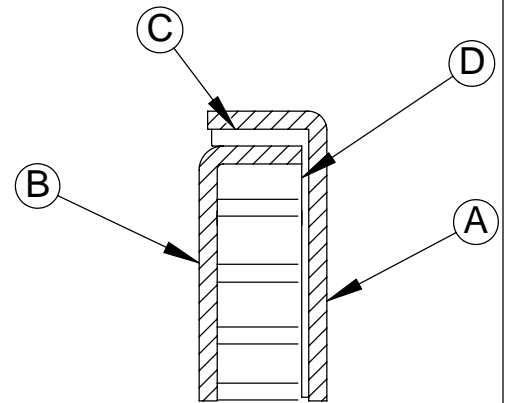
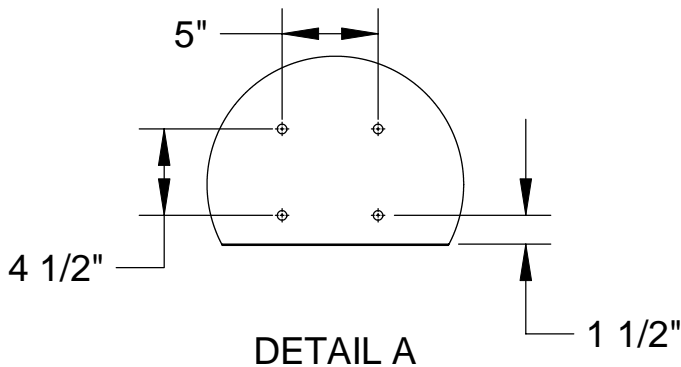
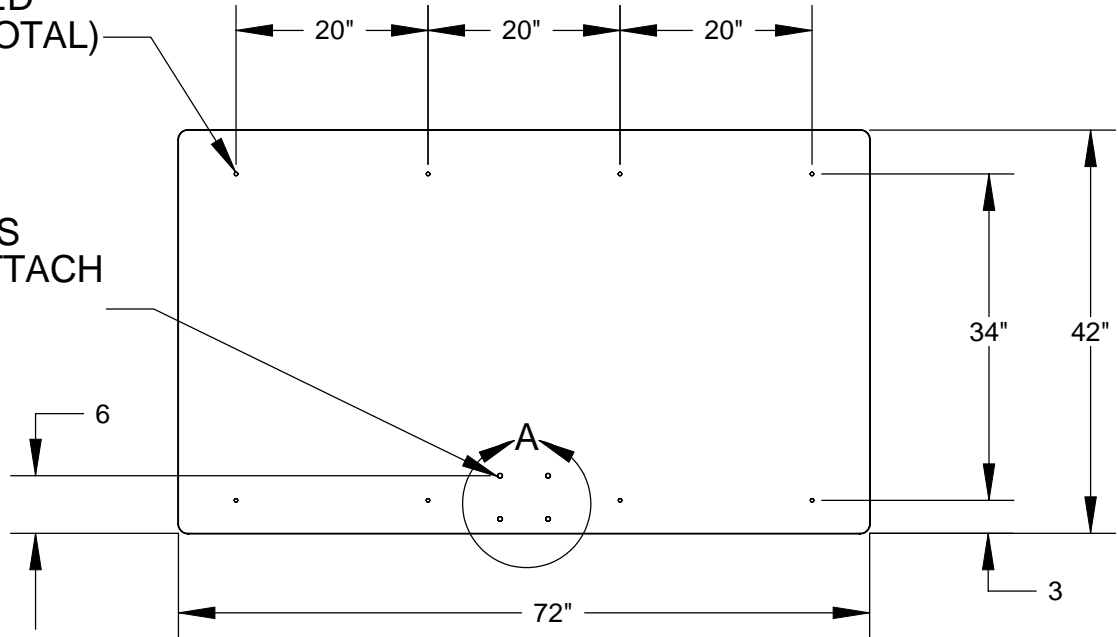


3/8" THREADED  
INSERTS (8 TOTAL)

1/2" dia. HOLES  
FOR GOAL ATTACH  
(4 TOTAL)



NOTE: THIS BACKBOARD USES ONE  
1-1/2" X 1-1/2" X 3/16 @ 64 ANGLE  
FOR TOP SUPPORT AND TWO  
1-1/2" X 1-1/2" X 3/16 @ 26 FOR  
BOTTOM SUPPORT  
(CUSTOM MOUNTING CONFIGURATION IS AVAILABLE)

ITEM	DESCRIPTION
A	FACE SHELL w/ GLASS CRAFT AND HI GLOSS GEL COAT
B	BACK SHELL w/ GLASS CRAFT AND HI GLOSS GEL COAT
C	THIXOTROPIC RESIN
D	HONEYCOMB CORE
E	3/8" X 5/8" X #18 TEE NUTS IN ALL FASTENING POINTS

**NOTE: SPECIFICATIONS ARE SUBJECT TO CHANGE**