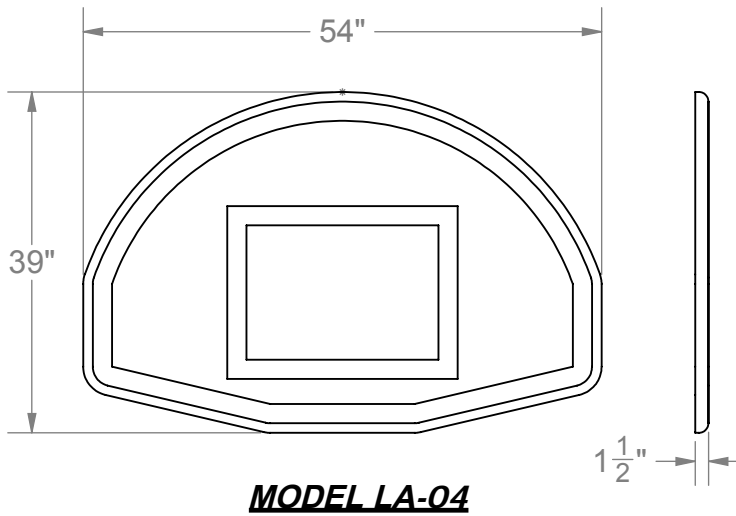


# **BASKETBALL BACKBOARD**

**MODEL LA-04** 1-1/2" FIBERGLASS FAN, WHITE (49 LBS)



**GENERAL:**

*These heavy-duty backboards are designed for outdoor use. Backboards are available in fan-shaped or rectangular-shaped boards. Backboards are fabricated from a variety of materials to suit your specific requirements.*

**MATERIALS:**

*Fiberglass Fan: Model LA-04 is molded with opposing fiberglass skins over impregnated honeycombed core and provides the unique combination of high strength, rigidity, and lightweight. Support and goal attachment areas are reinforced with a solid wood and polyester core. Backboard is finished with a stark-white, high gloss gel coat.*

*These basketball backboards are designed for outdoor exposure, as they are unaffected by moisture.*

*For installation of backboards to PW Athletic posts ONLY. For other manufacturer's posts and backboards, please consult installation instructions provided by that manufacturer.*

**WARRANTY PERIOD:** Limited Lifetime Warranty

<p>www.LASTEELCRAFT.com 1-800-371-2438</p>	Date: 4/8/15	<b>SPECIFICATION / INSTALLATION INSTRUCTIONS</b> <i>FIBERGLASS BACKBOARD W/ TARGET &amp; PERIMETER</i>
	Rev: SS81817	
	Drawn: MT	MODEL NO.
	Sheet: 1 of 3	<b>LA-04</b>

Model LA-04 backboards are equipped with a 4-hole mounting pattern. These four holes will align with the goal ring and the post mounting plate. Model LA-04 also is equipped with two nut inserts on the back of the board for installation of diagonal braces.

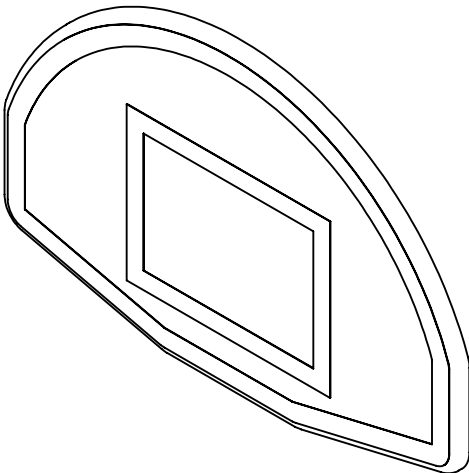
**NOTE:** Rim & Backboard to be mounted secure to sleeve adapter (GNP). Then attach sleeve to Post and secure with set screws and drive pin.

1. Align Rim with holes on Backboard & mounting plate and attach with 3/8" x 2-1/2" Hex Head bolt. Flat Washers and Nylock Nuts.
2. Attach Assembled Rim/Backboard/Sleeve to Gooseneck Post.
3. For **Adjustable Offset Goals**, attach Rim & Backboard with requested hardware to the adjustable offset. Use other half clamp and attach assembly to bottom of post. Once all hardware is snug enough, slide assembly up the post to the desired height.
4. Align holes on post mounting plate, backboard, and goal ring and attach with 3/8" x 2-1/2" hex nuts.
5. Adjust backboard to square and tighten all bolts.

**Caution: Flat washers must be used behind plate when mounting backboard.**

Diagonal Brace Installation: Diagonal brace installation varies depending on which upright post is ordered. Consult post installation instructions.

Plumb backboard and goal ring true and level (shim if necessary). Tighten all hardware securely. Install net. If the goal ring is equipped with chain net, make sure all S-hooks are fully closed.



**MODEL LA-04 BACKBOARD**

<b>Component Description</b>	<b>Qty</b>
3/8" x 2-1/2" Hex Bolt	4
3/8" Flat Washer	8
3/8" Nylok nut	4



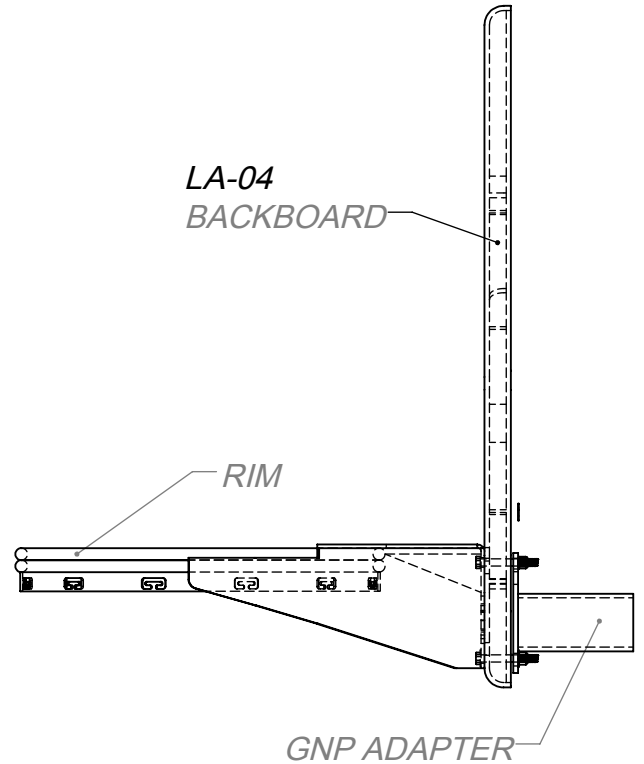
Date: 4/8/15  
 Rev: SS81817  
 Drawn: MT  
 Sheet: 2 of 3

**SPECIFICATION / INSTALLATION INSTRUCTIONS**  
 FIBERGLASS BACKBOARD W/ TARGET  
 & PERIMETER  
 MODEL NO.  
**LA-04**

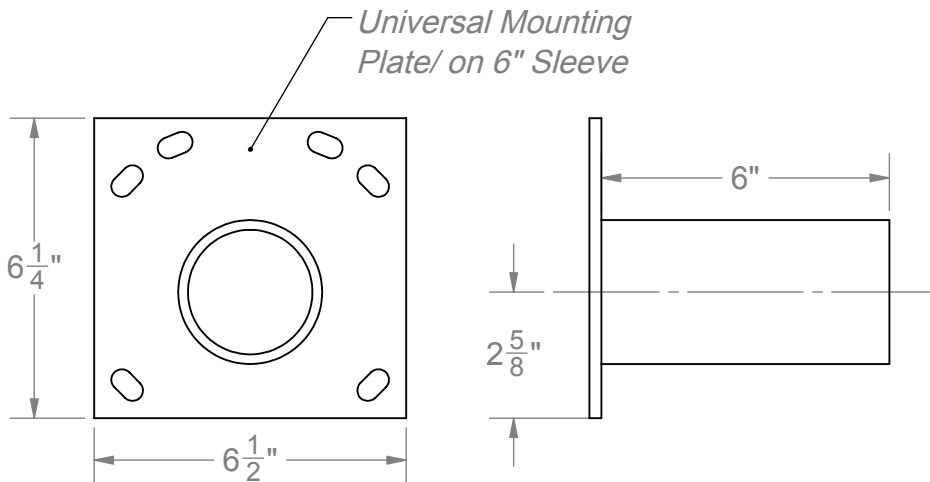
# BASKETBALL BACKBOARD

**MODEL LA-04** 1-1/2" FIBERGLASS FAN, WHITE (49 LBS)

**Diagonal Brace Installation:** Diagonal brace installation varies depending on which upright post is ordered. Plumb backboard and goal right true and level (shim if necessary). Tight all hardware securely. Install net. If the goal ring is equipped with chain net, make sure all S-hooks are fully closed.



**NOTE: Sleeves supplied with PW Gooseneck Post ONLY**



Post Size	Sleeve Size
3.5"	3"
4.5"	4"
5.563"	5"
6.625"	6"



Date: 4/8/15  
 Rev: SS81817  
 Drawn: MT  
 Sheet: 3 of 3

**SPECIFICATION / INSTALLATION INSTRUCTIONS**  
 FIBERGLASS BACKBOARD W/ TARGET  
 & PERIMETER  
 MODEL NO.  
**LA-04**