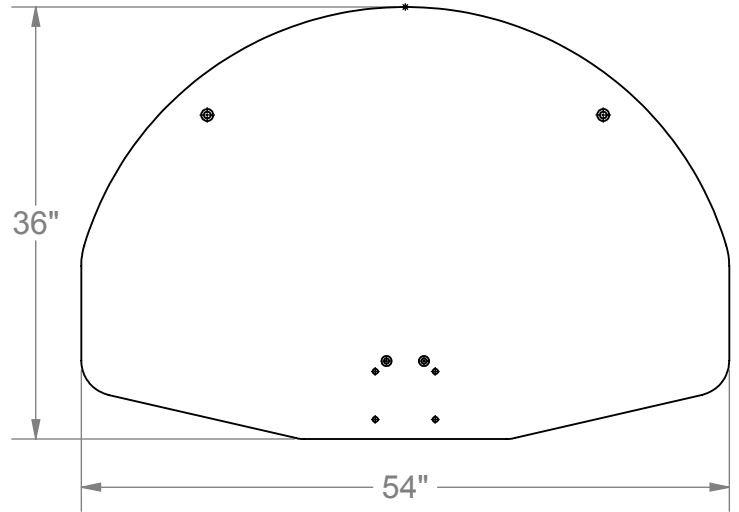


BASKETBALL BACKBOARD

MODEL #LA-01 1/4" STEEL FAN, POWDER COAT WHITE (116lbs)
MODEL #LA-02 1/4" STEEL FAN, GALVANIZED (125lbs)

**Steel Fans: Model LA-01 is made of 1/4" steel & virtually indestructible, these heavy-duty steel fans will provide a lifetime of use. A white powder coat finish is applied after fabrication. For seacoast locations or areas where high corrosion rates prevail, Model LA-02 is made of 1/4" thick steel & galvanized.*



GENERAL:

Model LA-01 an LA-02 backboards are equipped with a 6-hole mounting pattern. These boards require the use of the two countersunk holes on the face of each board.

NOTE: These two holes are used for attaching the backboard to the GNP sleeve and are only used to aid in installation. This allows the board to be mounted to the post prior to installing or replacing the rim.


Always use the goal ring holes to secure the backboard to the mounting plate.

1. Align countersunk holes with holes on GNP sleeve and attach with 3/8" x 1-1/4" Flat Head bolt.
NOTE: The flathead bolt will seat in the countersunk hole on face of backboard.
2. Use 7/32" hex key wrench to hold flathead bolt and secure with 3/8" flat washers and nuts.
NOTE: Rim & Backboard to be mounted secure to sleeve adapter (GNP).
 Then attach sleeve to Post and secure with set screw and two drive pins.
3. Align Rim with holes on Backboard & mounting plate and attach with 3/8" x 1-1/2" Hex Head bolt. Flat Washers and Nylock Nuts.
4. Attach Assembled Rim/Backboard/Sleeve to Gooseneck Post.
5. For **Adjustable Offset Goals**, attach Rim & Backboard with requested hardware to the adjustable offset. Use other half clamp and attach assembly to bottom of post. Once all hardware is snug enough, slide assembly up the post to the desired height.

Caution: Flat washers must be used behind plate when mounting backboard.

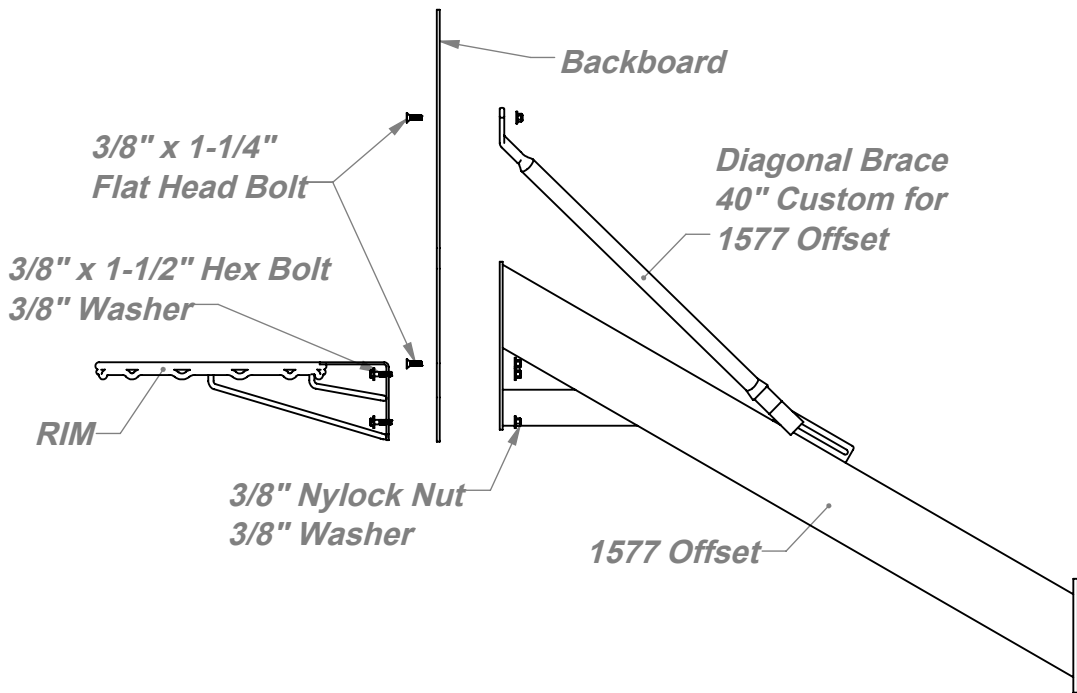
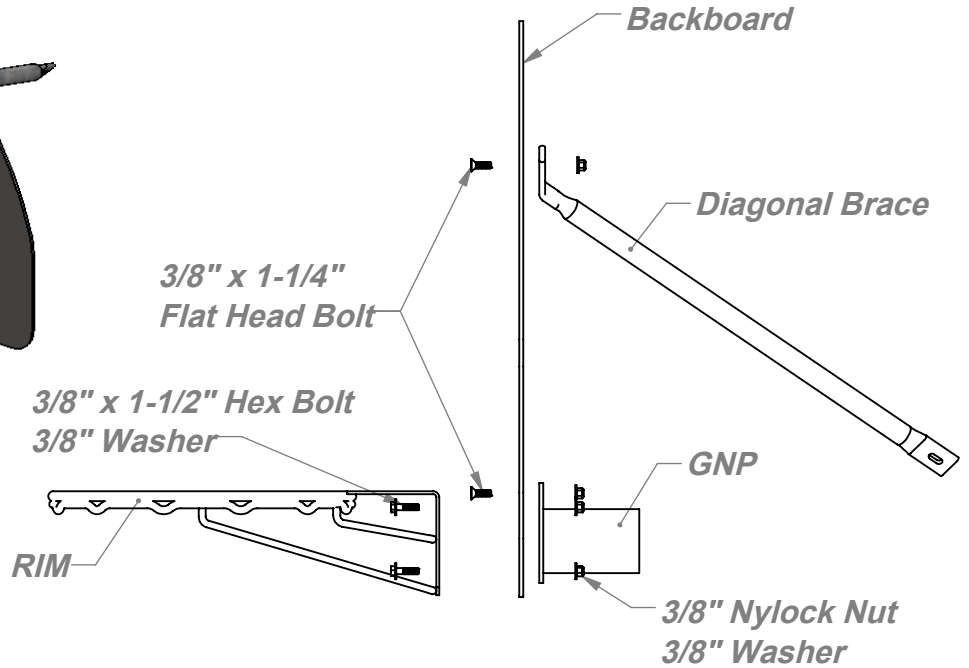
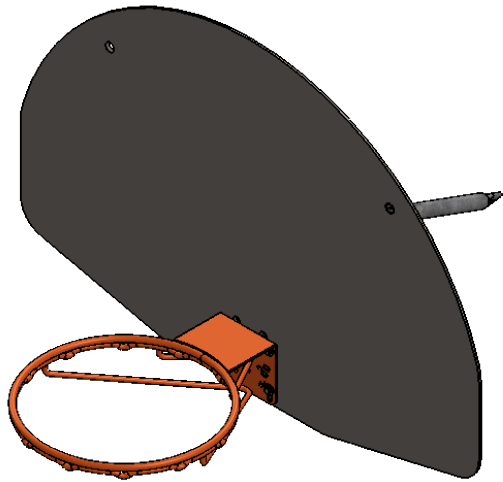
6. For **Diagonal Braces** attach one end of brace with 3/8" x 1-1/4" Flat Head bolt to the top countersunk holes in backboard with 3/8" Washer & Nylock Nut. Attach opposite end to the brace bands on the post offset with 3/8" x 1" Hex bolts, Washers, Nylock Nuts.

NOTE: Hardware comes separately with each item (i.e. rim, backboard, & post)

 <p>www.LASTEELCRAFT.com 1-800-371-2438</p>	Date: 4/16/15	SPECIFICATION / INSTALLATION INSTRUCTIONS
	Rev: DH4/30/20	
	Drawn: MT	MODEL NO.
	Sheet: 1 of 3	LA-01, LA-02

LA-01, LA-02 BACKBOARD

Diagonal Brace Installation: Diagonal brace installation varies depending on which upright post is ordered. Plumb backboard and goal right true and level (shim if necessary). Tight all hardware securely. Install net. If the goal ring is equipped with chain net, make sure all S-hooks are fully closed.



Date: 4/8/15
 Rev: DH4/30/20
 Drawn: MT
 Sheet: 2 of 3

SPECIFICATION / INSTALLATION INSTRUCTIONS

STEEL "FAN" BASKETBALL BACKBOARD

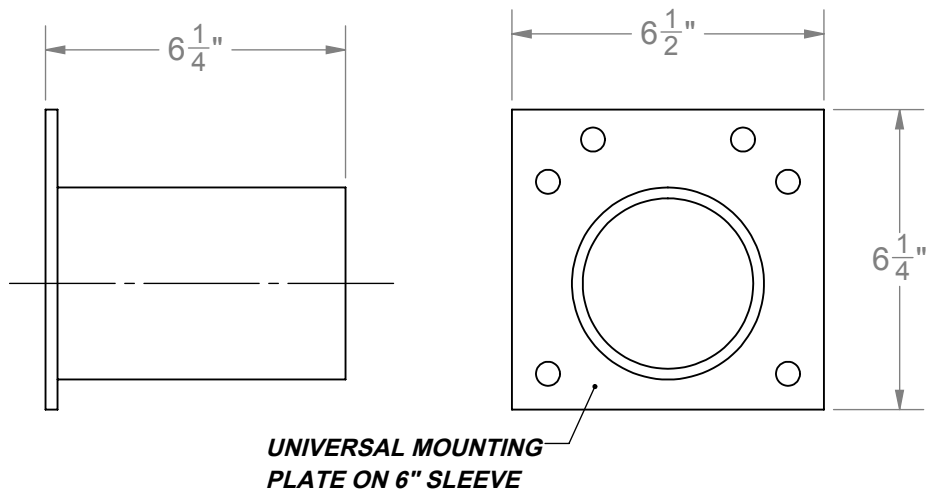
MODEL NO.

LA-01, LA-02

BACKBOARD GNP

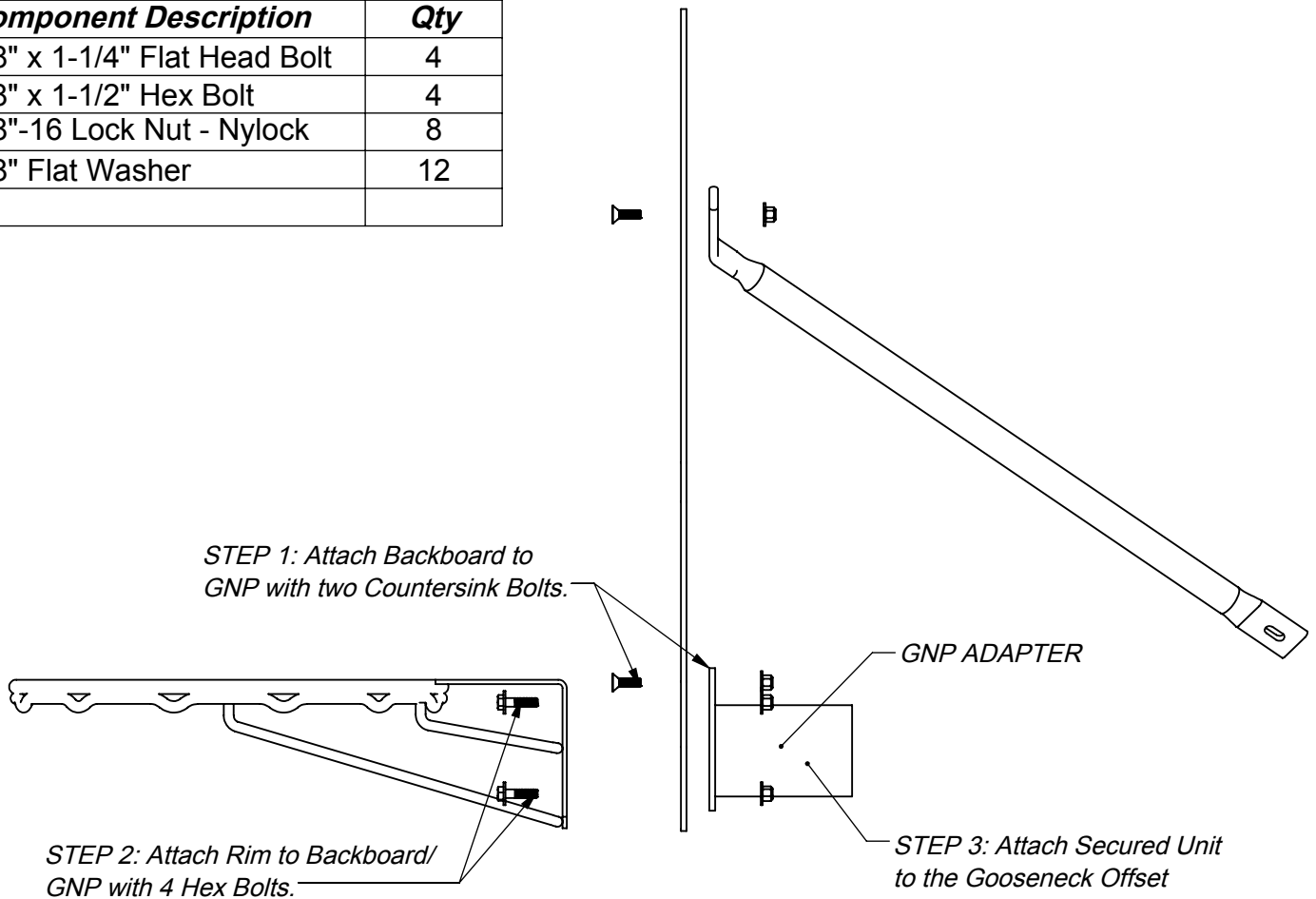
NOTE: Sleeves supplied with Goosneck Post ONLY

Post Size	Sleeve Size
3.5"	3"
4.5"	4"
5.563"	5"
6.625"	6"



**ONCE THE UNIT IS SECURE TO THE GOOSENECK
TIGHTEN SET SCREW AND SECURE WITH DRIVE PINS**

Component Description	Qty
3/8" x 1-1/4" Flat Head Bolt	4
3/8" x 1-1/2" Hex Bolt	4
3/8"-16 Lock Nut - Nylock	8
3/8" Flat Washer	12



Date: 4/8/15
 Rev: DH4/30/20
 Drawn: MT
 Sheet: 3 of 3

SPECIFICATION / INSTALLATION INSTRUCTIONS

STEEL "FAN" BASKETBALL BACKBOARD

MODEL NO.

LA-01, LA-02