

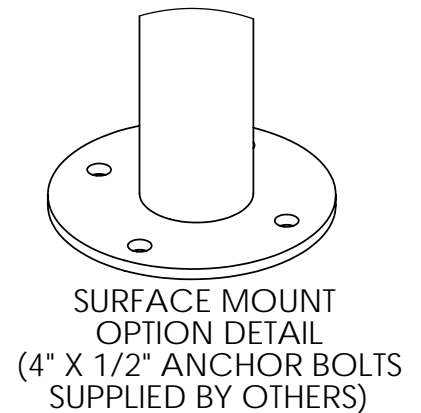
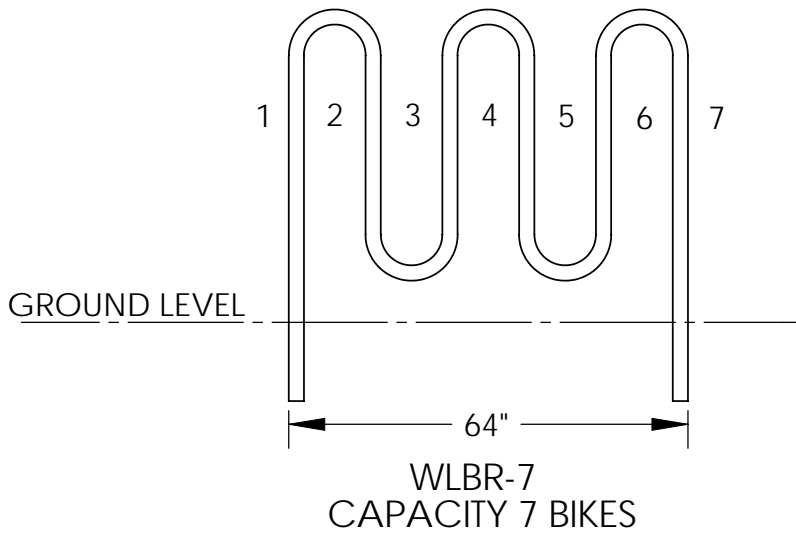
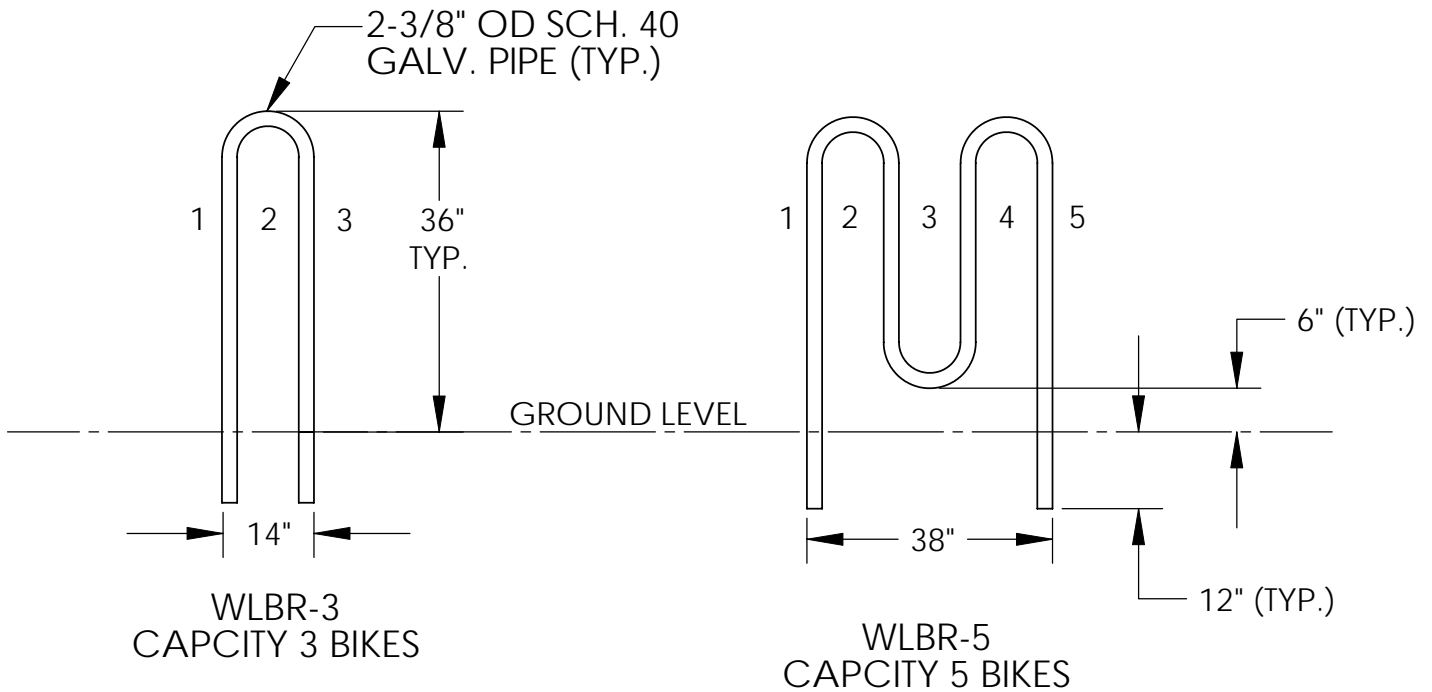
# STEELCRAFT PRODUCTS

P.O. Box 90365 - Pasadena, CA 91109  
PHN 626-798-7401 FAX 626-798-1482

MODEL  
WLBR  
SERIES BIKE RACK

SHEET  
1 of 2

**\*GALVANIZED OR POWDER COATED FINISH AVAILABLE\***



## INSTALLATION INSTRUCTIONS:

1. DIG HOLES IN PROPER LOCATION FOR A 6" DIA. X 12" DEEP CONC. FOOTING.
2. SUPPORT THE BIKE RACK SO IT IS PLUMB AND LEVEL (36" ABOVE GROUND LEVEL).
3. POUR CONCRETE INTO THE FOOTING HOLES AND ALLOW 48 hrs. BEFORE REMOVING THE SUPPORTS.

**NOTE: SPECIFICATIONS ARE SUBJECT TO CHANGE**

DO NOT SCALE DRAWING

DATE: 10/7/09

DRAWN BY: AFS

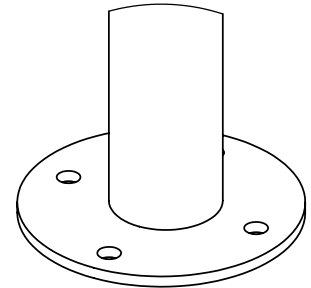
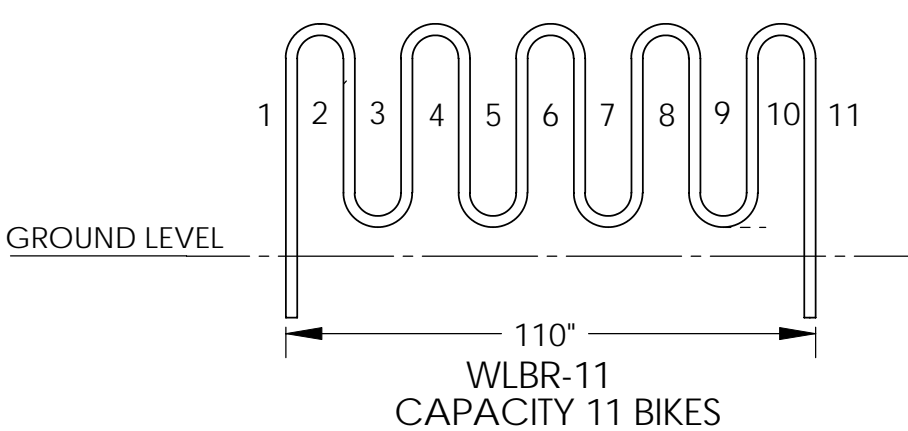
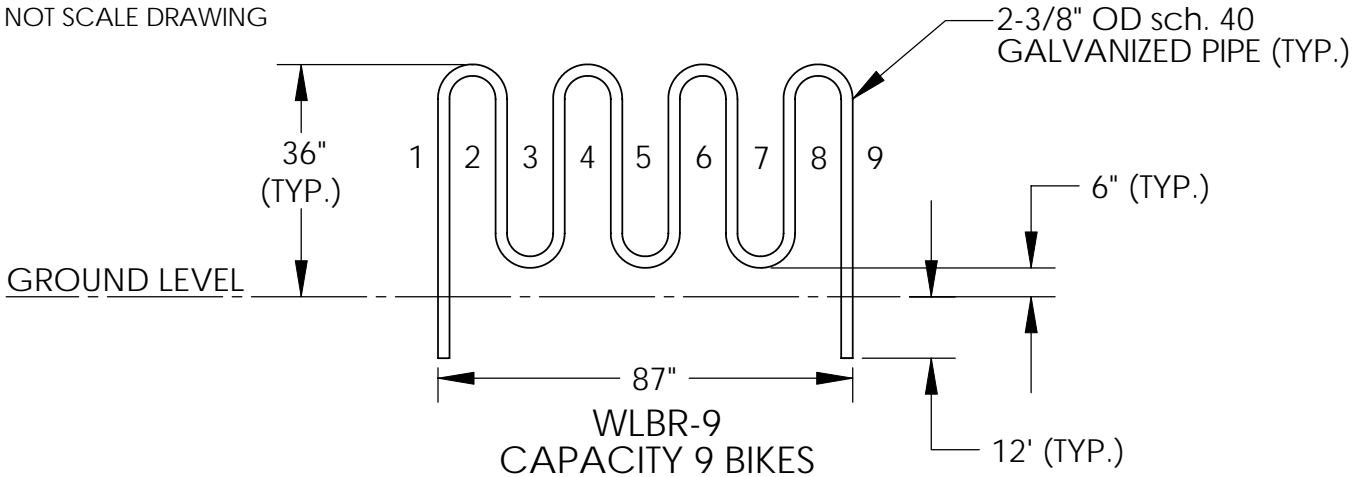
# STEELCRAFT PRODUCTS

P.O. Box 90365 - Pasadena, CA 91109  
 PHN 626-798-7401 FAX 626-798-1482

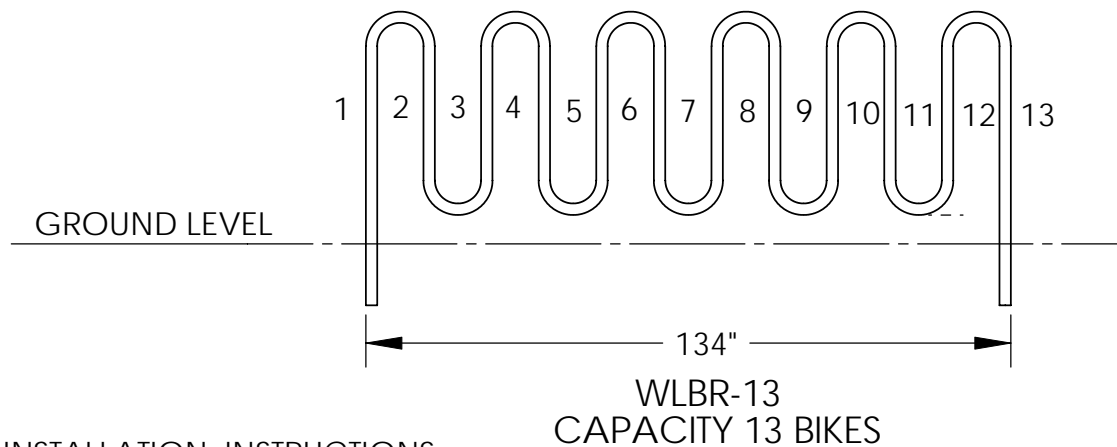
MODEL  
 WLBR  
 SERIES BIKE RACK

SHEET  
 2 of 2

DO NOT SCALE DRAWING



SURFACE MOUNT  
 OPTION DETAIL  
 (4" X 1/2" ANCHOR BOLTS  
 SUPPLIED BY OTHERS)



## INSTALLATION INSTRUCTIONS:

1. DIG HOLES IN PROPER LOCATION FOR A 6" DIA. X 12" DEEP CONC. FOOTING.
2. SUPPORT THE BIKE RACK SO IT IS PLUMB AND LEVEL (36" ABOVE GROUND LEVEL).
3. POUR CONCRETE INTO THE FOOTING HOLES AND ALLOW 48 hrs. BEFORE REMOVING THE SUPPORTS.

**NOTE: SPECIFICATIONS ARE SUBJECT TO CHANGE**