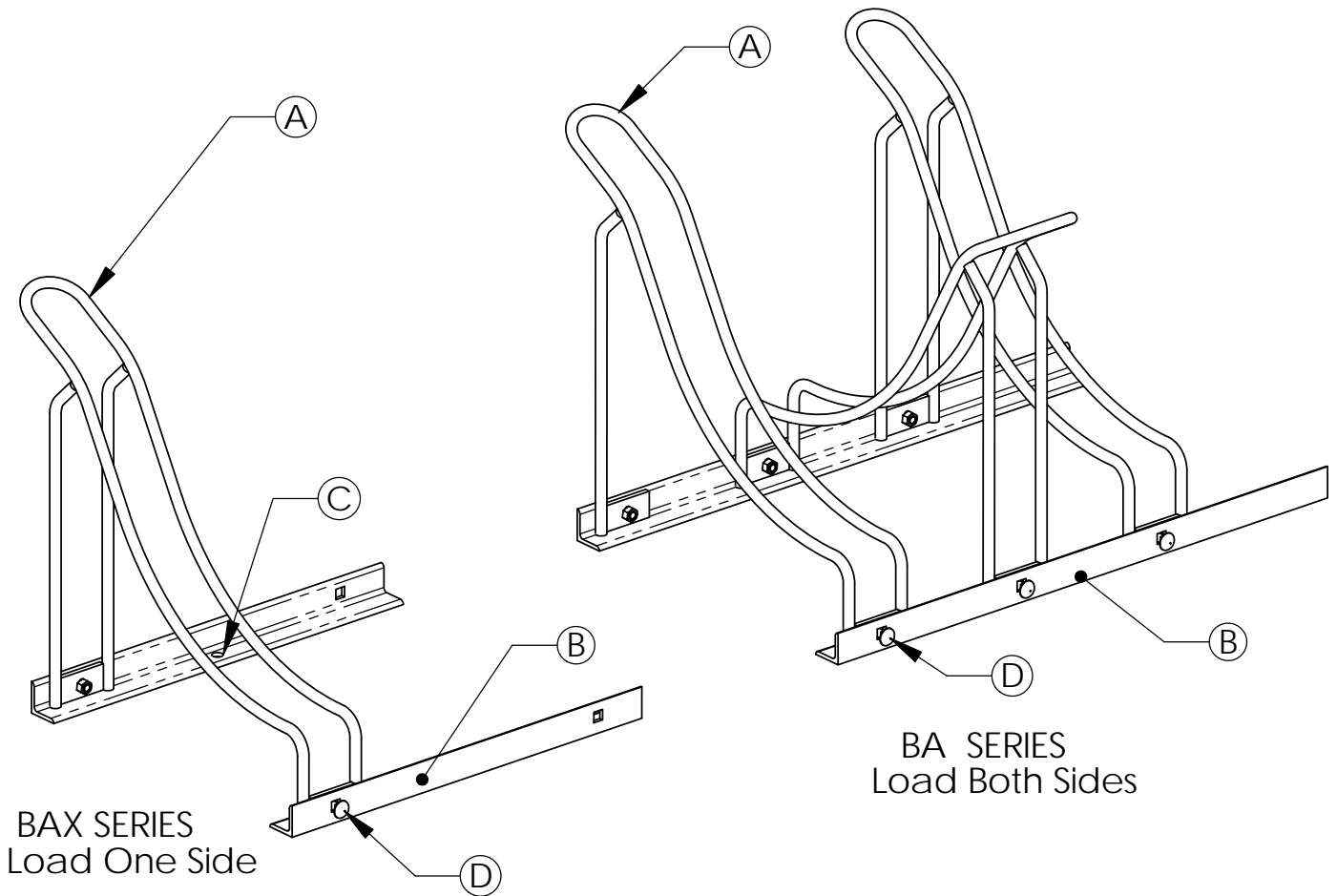


STEELCRAFT PRODUCTS

P.O. Box 90365 - Pasadena, CA 91109
 PHN 626-798-7401 FAX 626-798-1482

MODEL
 BA SERIES
 BIKE RACKS



NOTE: HOLDERS ARE MADE FROM 1/2" DIA. BAR.
 RUNNERS ARE MADE FROM 1 1/2" X 1 1/2" X 3/16" ANGLE
 ALL PARTS ARE HOT DIP GALVANIZED AFTER FABRICATION

ASSEMBLY INSTRUCTIONS:

1. Attach bike rack holders (A) to angle runners (B) using 5/16" x 1" bolts (D).
2. Depending on surface that the bike rack is installed upon, the proper anchors must be installed. If on concrete, use self setting anchors. If on asphalt, it is recommended that a footing of 6" dia x 10" deep be installed at each anchor hole.

(Anchors are not provided by L. A. Steelcraft)

MODEL	HOLDERS [A]	RUNNER [B]	LENGTH	ANCHORS [C]	BOLT ASSY [D]	WIDTH	HEIGHT
BAX-2	2	2	19"	2	4	19-3/4"	20-1/4"
BAX-5	5	2	67"	4	10	19-3/4"	20-1/4"
BAX-8	8	2	115"	4	16	19-3/4"	20-1/4"
BA-4	4	2	27"	2	8	22"	20-1/4"
BA-5	5	2	35"	4	10	22"	20-1/4"
BA-9	9	2	67"	4	18	22"	20-1/4"
BA-15	15	2	115"	4	30	22"	20-1/4"

NOTE: SPECIFICATIONS ARE SUBJECT TO CHANGE

DO NOT SCALE DRAWING

DATE: 10/6/09

DRAWN BY: AFS