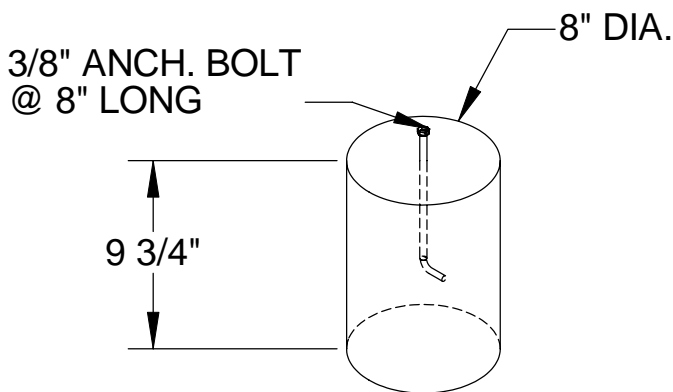
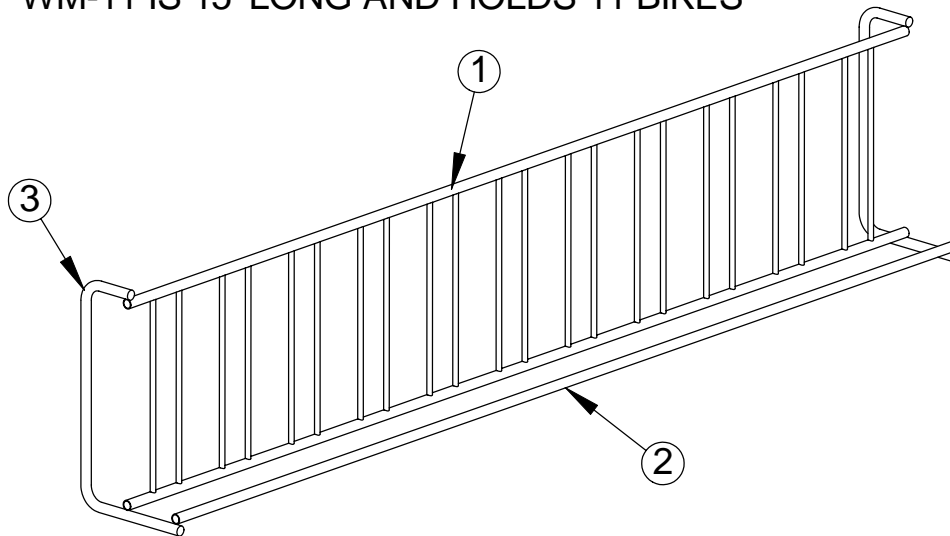


STEELCRAFT PRODUCTS

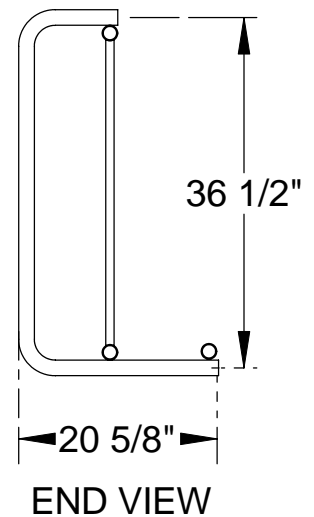
P.O. Box 90365 - Pasadena, CA 91109
 PHN 626-798-7401 FAX 626-798-1482

MODEL
 WM SERIES
 BIKE RACK

NOTE: WM-7 IS 10' LONG AND HOLDS 7 BIKES
 WM-11 IS 15' LONG AND HOLDS 11 BIKES



CONC. FOOTING FOR ASPHALT INSTALLATION
 (4 REQ'D) (SUPPLIED BY OTHERS)



ASSEMBLY INSTRUCTIONS

1. ATTACH BIKE FRAME (1) TO SUPPORT FRAMES (2) USING SUPPLIED HARDWARE.
2. ATTACH PIPE RAIL (3) TO THE SUPPORT FRAMES (2).
3. ATTACH SUPPORT FRAMES (2) TO A WALL USING INSTALLER PROVIDED HARDWARE

ITEM	QTY	PART NO.	DESCRIPTION
1	2	F04BR011	1-5/8" OD BIKE FRAME w / 7/8" VERT POSTS - GALV
2	1	F04BR012	1-5/8" OD PIPE RAIL - GALV.
3	1	P04BR014	1-5/8" OD END FRAMES GALVANIZED
4		NOT SHOWN	HARDWARE

NOTE: SPECIFICATIONS ARE SUBJECT TO CHANGE

DO NOT SCALE DRAWING

DATE: 10/7/09

DRAWN BY: AFS