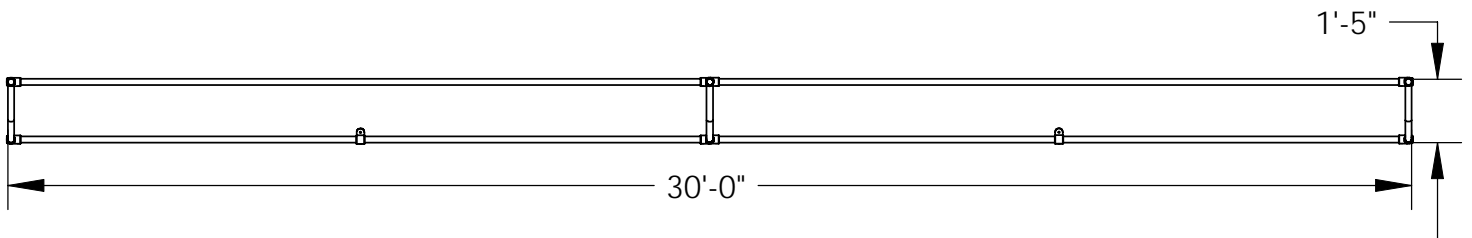
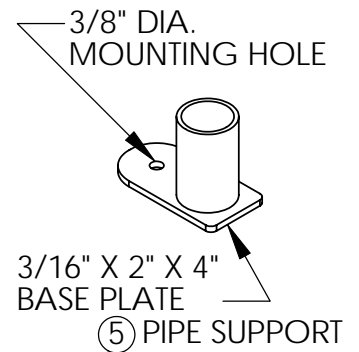
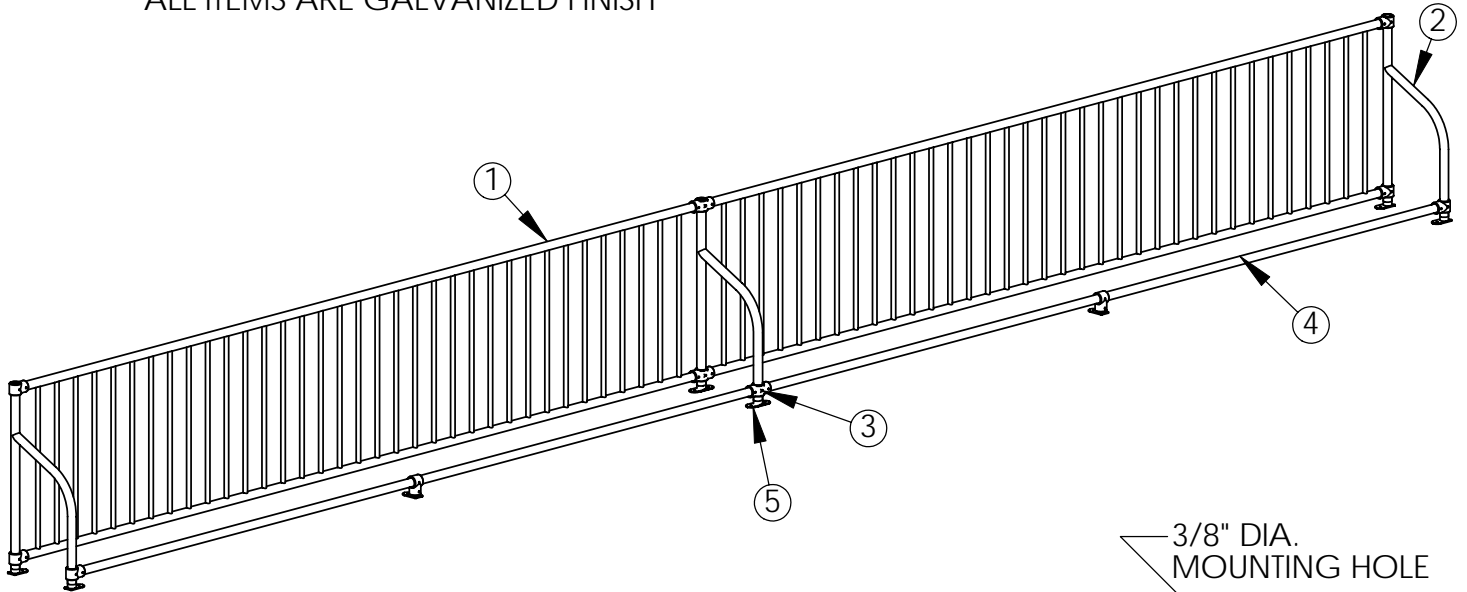


# STEELCRAFT PRODUCTS

P.O. Box 90365 - Pasadena, CA 91109  
PHN 626-798-7401 FAX 626-798-1482

MODEL  
SR-30  
BIKE RACK

NOTE: THIS BIKE RACK HAS 30 SPACES  
ALL ITEMS ARE GALVANIZED FINISH



PLAN VIEW

## ASSEMBLY INSTRUCTIONS

- 1 Attach bike rack frame to support frame to support frame using supplied set screws.
- 2 Slide the pipe support brackets on to the pipe rails and place in the center of rail.
- 3 Make sure the assembly is square and plumb and tighten all bolts.
- 4 Place in proper location and bolt to surface using hardware supplied by others.

NOTE: SPECIFICATIONS ARE SUBJECT TO CHANGE

DO NOT SCALE DRAWING

DATE: 2/20/08

DRAWN BY: AFS