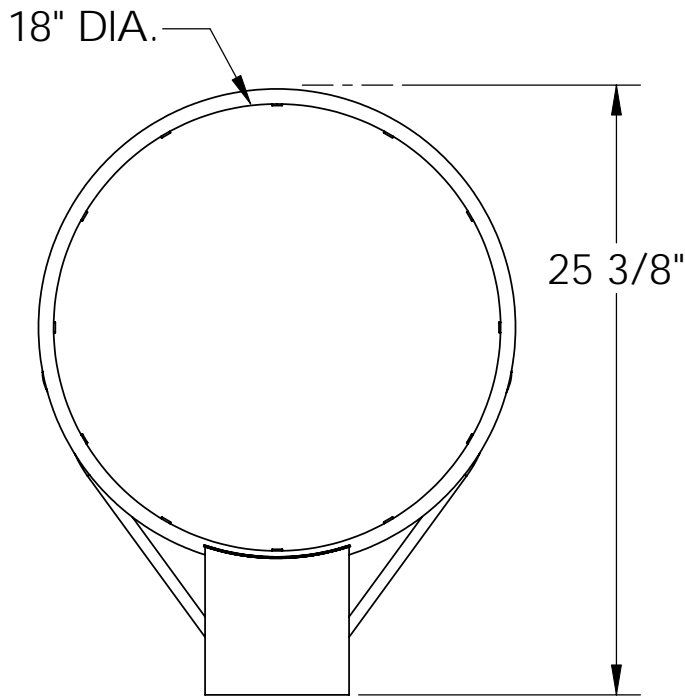
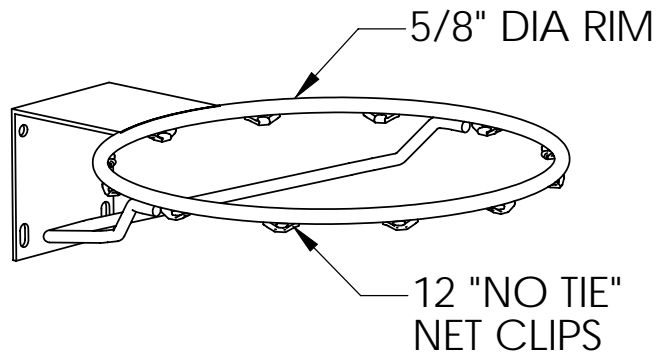


STEELCRAFT PRODUCTS

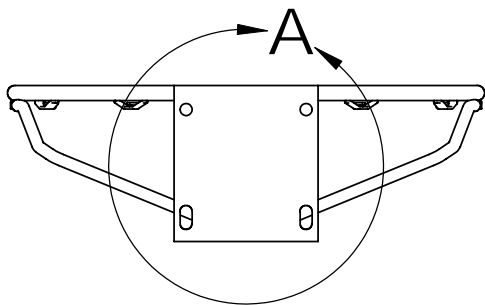
P.O. Box 90365 - Pasadena, CA 91109
PHN 626-798-7401 FAX 626-798-1482

MODEL
SD - 4S
BASKETBALL GOAL

DO NOT SCALE DRAWING



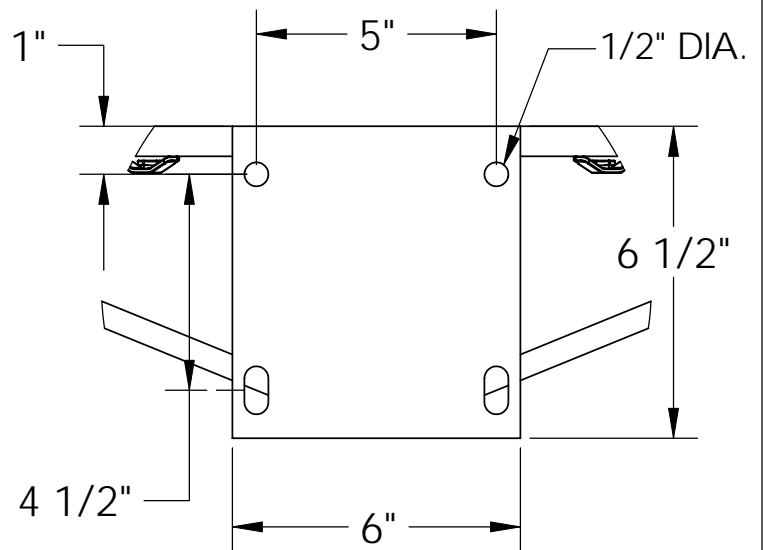
TOP



BACK

THIS MODEL WILL SUSTAIN A LOAD OF 1200 lbs. WITHOUT PERMANENT DEFORMATION. NYLON NET NOT SHOWN 4 ea 3/8" X 3-1/2" BOLTS w/ N, FW & W ARE SUPPLIED. ENTIRE PART IS POWDER COATED ORANGE

NOTE: ALSO AVAILABLE WITH A DOUBLE RING RIM (MODEL SD-4D)



NOTE: SPECIFICATIONS ARE SUBJECT TO CHANGE

DO NOT SCALE DRAWING

DATE: 4/10/09

DRAWN BY: AFS