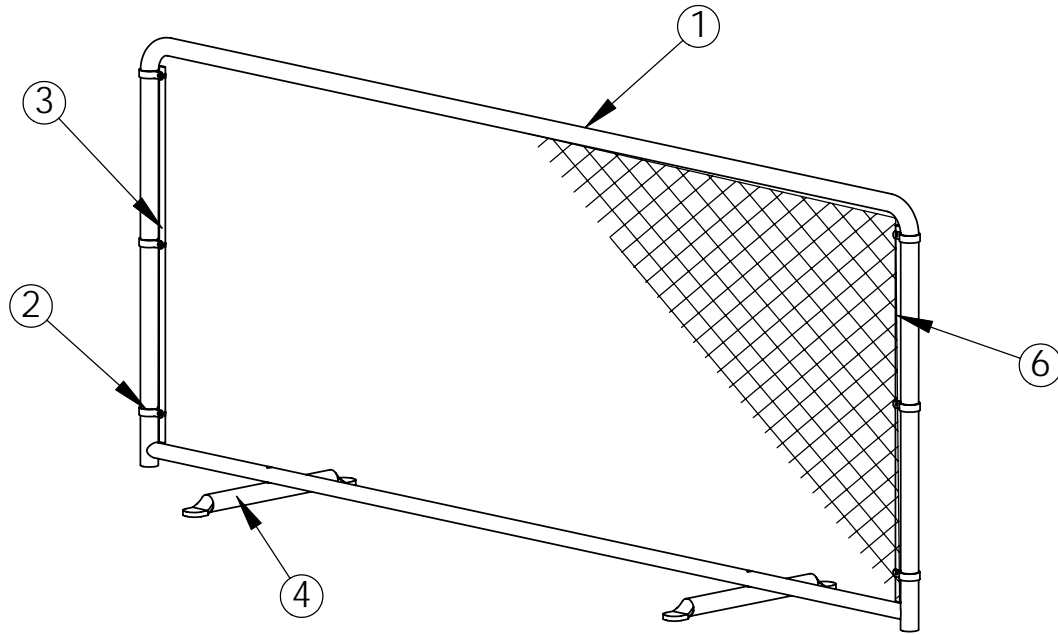


STEELCRAFT PRODUCTS

P.O. Box 90365 - Pasadena, CA 91109
PHN 626-798-7401 FAX 626-798-1482

MODEL
OP410
PORTABLE FENCE



OP410 PORTABLE FENCING
4'-0" HIGH X 10'-0" LONG

ITEM	QTY.	PART NO.	DESCRIPTION
1	1	F04BS410	1-7/8" OD GALV. PIPE FRAME
2	6	P06BS178	1-7/8" TENSION BAND
3	2	P06BS450	3/4" TENSION BAR
4	2	F04BS411	1-7/8" OD GALV. FOOT SUPPORT
5	2	P01BS410	3/8" X 3" HEX BOLT w/ W, LW & N
6	1	P06BS410	11 ga. X 2" CHAIN LINK MESH

NOTE: SPECIFICATIONS ARE SUBJECT TO CHANGE

DO NOT SCALE DRAWING

DATE: 3/17/09

DRAWN BY: AFS