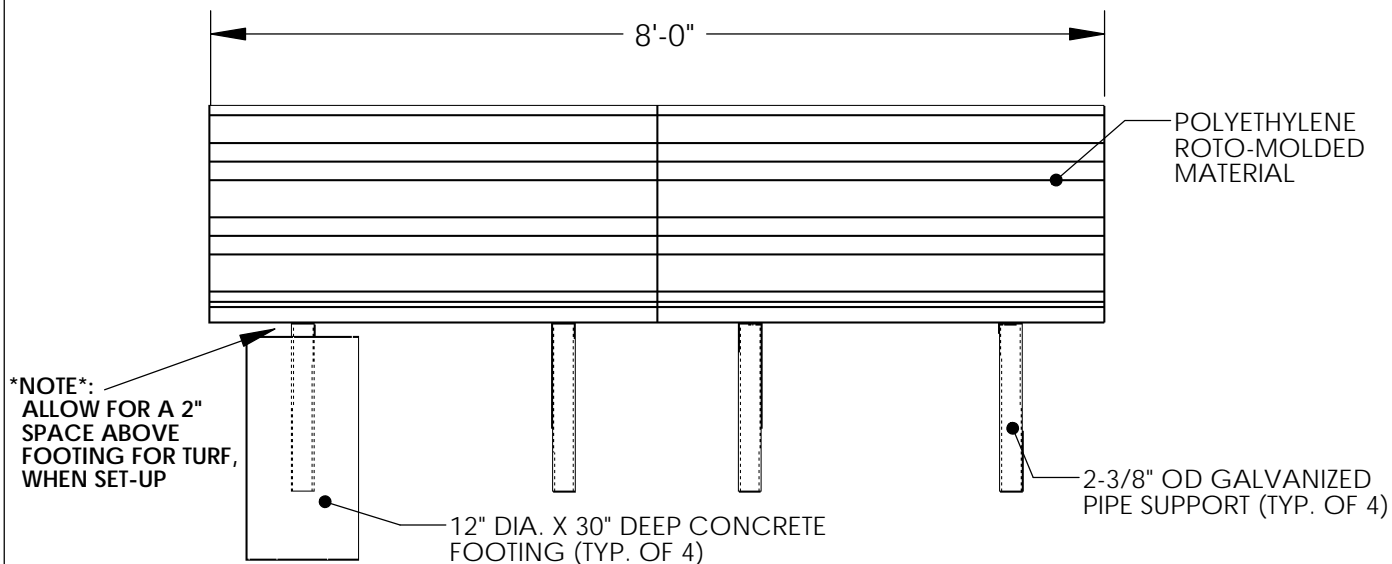


STEELCRAFT PRODUCTS

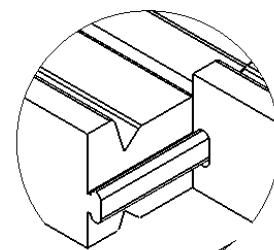
P.O. Box 90365 - Pasadena, CA 91103
PHN 626-798-7401 FAX 626-798-1482

MODEL
LJ
HURDLE JUMP

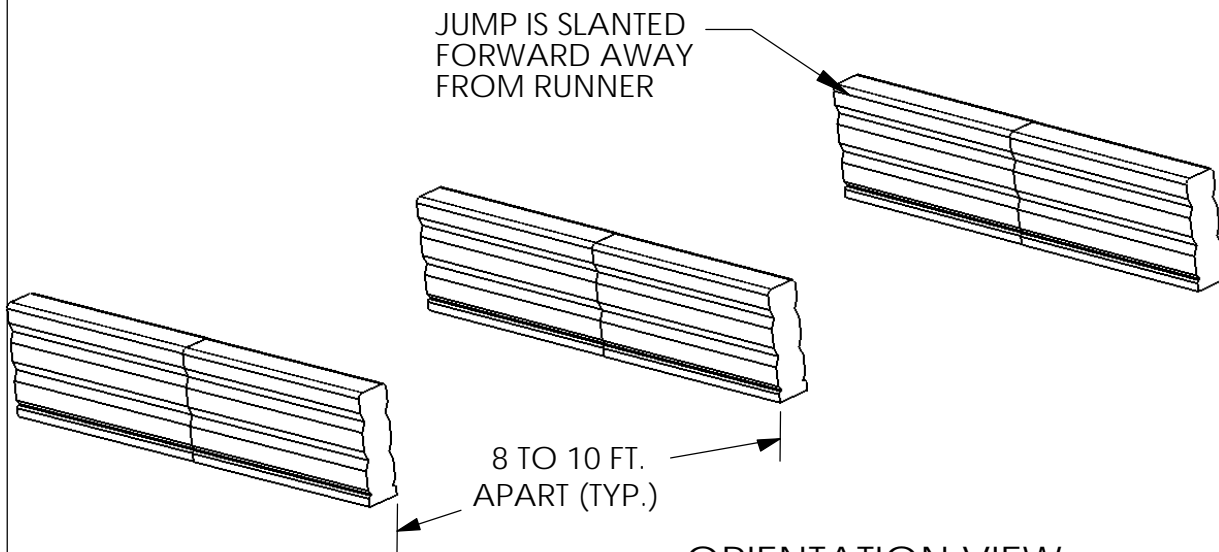


ELEVATION VIEW

NOTE: TO BE INSTALLED IN SETS OF THREE. JUMP SECTIONS ARE SHIPPED IN TWO (4' X 24") SECTIONS AND SLIP-FIT TOGETHER BY A DOVETAIL GROOVE JOINT ON EACH VERTICAL EDGE.



DOVETAIL GROOVE JOINT



ORIENTATION VIEW

NOTE: SPECIFICATIONS ARE SUBJECT TO CHANGE

DO NOT SCALE DRAWING

DATE: 8/11/05

DRAWN BY: AFS