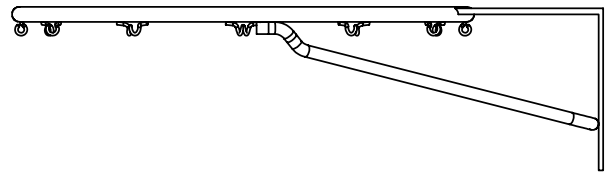
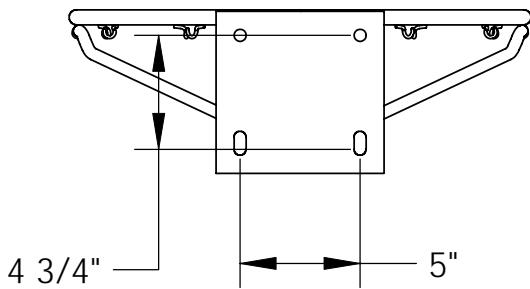
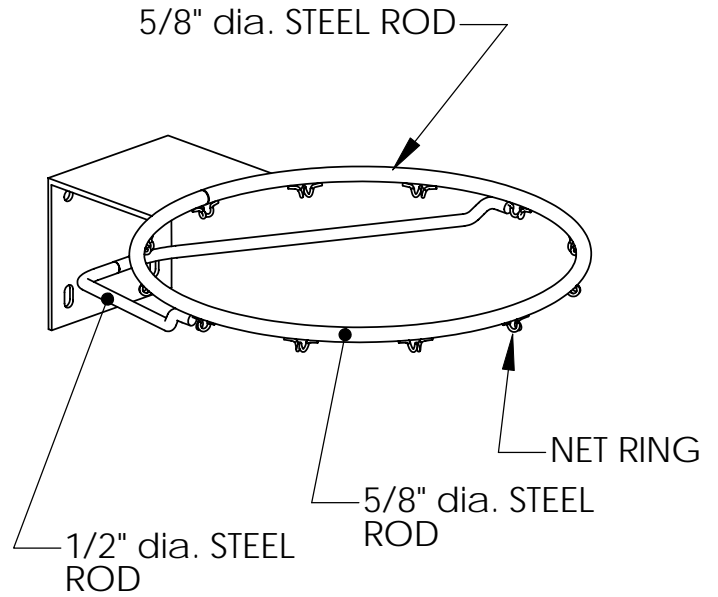
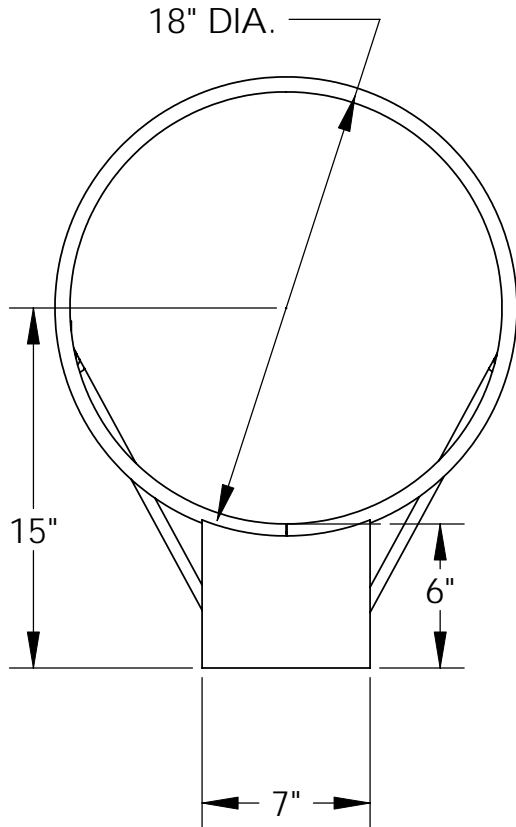


STEELCRAFT PRODUCTS

P.O. Box 90365 - Pasadena, CA 91103
PHN 626-798-7401 FAX 626-798-1482

MODEL
HD 600
BASKETBALL
GOAL RIM



GOAL RIM WILL WITHSTAND 800 lbs. BEFORE SUSTAINING PERMANENT BEND
DOUBLE GOAL RIM FOR ATTACHING NETS
PHOSPHATE TREATED THEN POWDER COATED OFFICAL ORANGE COLOR
UNIVERSAL MOUNTING PATTERN
USES NYLON NET
WEIGHS 18 lbs.

NOTE: SPECIFICATIONS ARE SUBJECT TO CHANGE

DO NOT SCALE DRAWING

DATE: 7/14/08

DRAWN BY: AFS