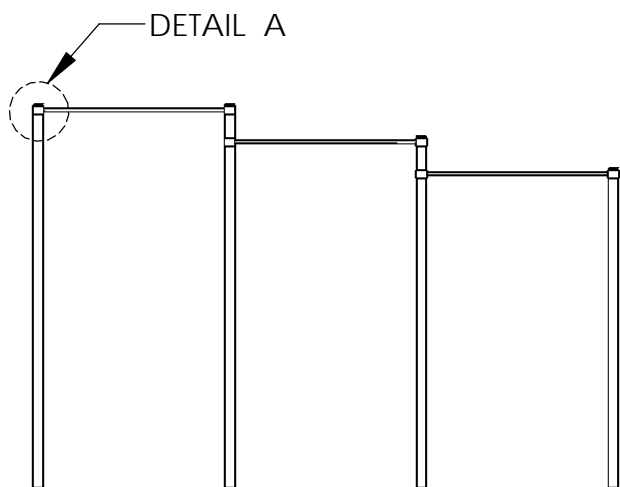


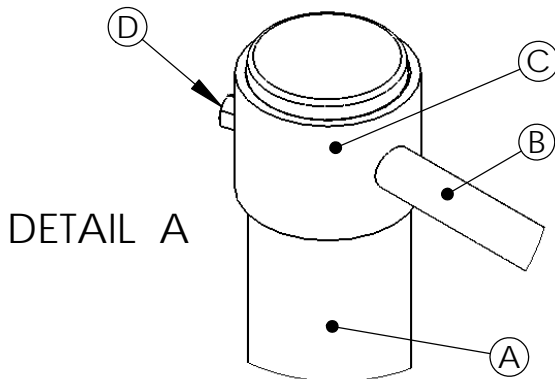
STEELCRAFT PRODUCTS

P.O. Box 90365 - Pasadena, CA 91103
 PHN 626-798-7401 FAX 626-798-1482

MODEL
 HB
 HORIZONTAL BARS

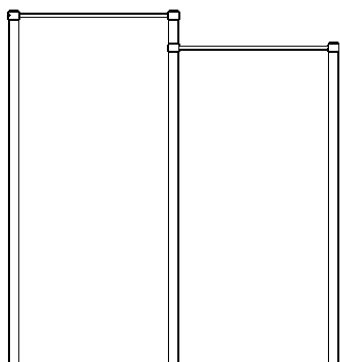


TRIPLE

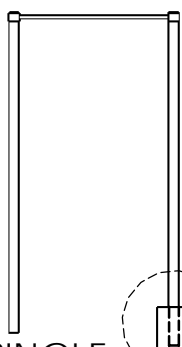


DETAIL A

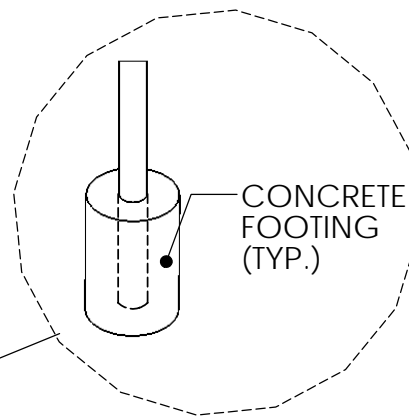
ITEM	PART NUM.	DESCRIPTION
A	F04HB001	UPRIGHT SUPPORT POST
B	F04HB002	1-1/8" DIA WELDED TO SLEEVE
C	F04HB003	SLEEVE
D	F04HB004	SOCKET SET SCREW
E		ALLEN WRENCH



DOUBLE



SINGLE



ALL BARS ARE COLD ROLLED STEEL WELDED TO PIPE SLEEVES THEN HOT DIPPED GALVANIZED AND HAND SMOOTHED AFTER GALVANIZING. POSTS ARE GALVANIZED PIPE AND CAPPED WITH ALUMINUM DRIVE CAPS. ALL BARS ARE ADJUSTABLE TO HEIGHTS INDICATED BY MODEL NUMBERS. CONCRETE FOOTINGS ARE REQUIRED FOR ALL VERTICAL POSTS, SEE CHART FOR RECOMMENDED DIMENSIONS.

NOTE: DO NOT ADJUST BARS BELOW MINIMUM HEIGHT OF 5'-0"

	HEAVY DUTY		INTERMEDIATE		STANDARD	
UPRIGHTS	3-1/2" OD		2-7/8" OD		2-3/8" OD	
ADJ. BARS	6' LONG	1-1/8" DIA	5' LONG	1-1/8" DIA	5' LONG	1-1/8" DIA
TYPE	MODEL	HEIGHT	MODEL	HEIGHT	MODEL	HEIGHT
TRIPLE	HB3-789	7' 8' 9'	HB25-567	5' 6' 7'	HB2-567	5' 6' 7'
DOUBLE	HB3-89	8' 9'	HB25-67	6' 7'	HB2-67	6' 7'
SINGLE	HB3-9	9'	HB25-7	7'	HB2-7	7'
FOOTING	24" DIA X 42" DEEP		24" DIA X 42" DEEP		16" DIA X 36" DEEP	

DO NOT SCALE DRAWING

DATE: 2/2/08

DRAWN BY: AFS