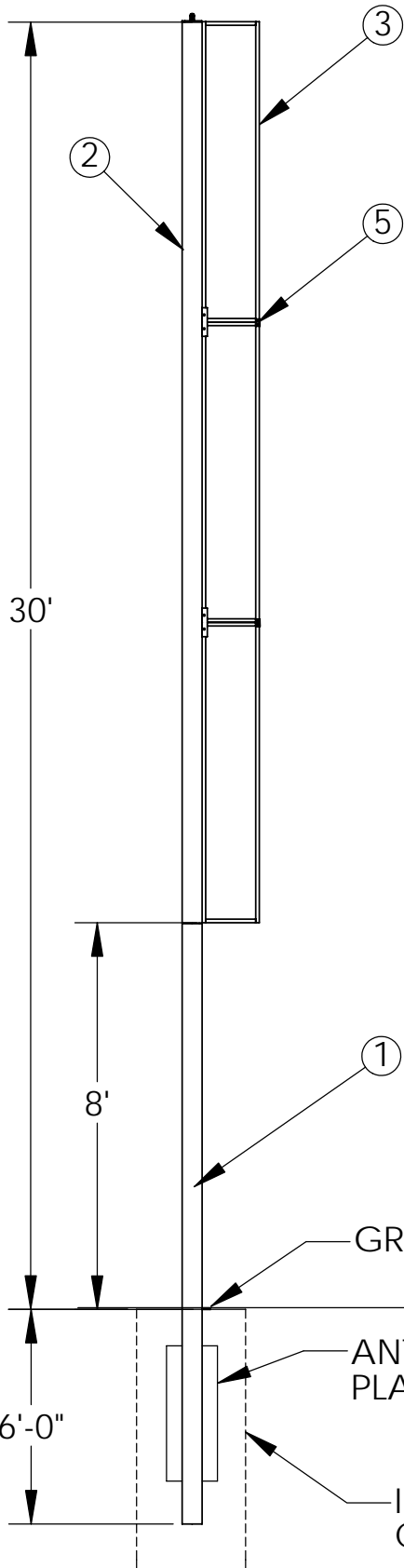


# STEELCRAFT PRODUCTS

P.O. Box 90365 - Pasadena, CA 91109  
 PHN 626-798-7401 FAX 626-798-1482

MODEL  
 FLP-30  
 FOUL POLE



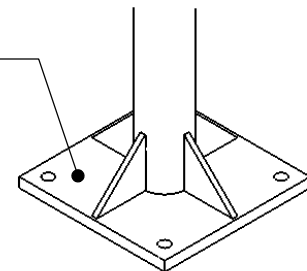
ITEM	QTY.	PART NO	DESCRIPTION
1	1	F04FP03X	5-9/16" OD Sch 40 POST
3	2	F02FP000	SCREEN
4	18	P01FP000	BOLT/WASH/NUT
5	2	F02FP001	CLIPS

## INSTALLATION INSTRUCTIONS

1. DIG FOOTING AT PROPER LOCATION  
 30" DIA. X 78" DEEP
2. PLACE BASE POST (1) INTO FOOTING  
 AND SUPPORT IN A PLUMB CONDITION  
 WITH THE OUTSIDE EDGE OF PIPE TANGENT  
 TO THE OUTSIDE OF THE FOUL LINE.  
 TOP OF POST TO BE 9'-0" ABOVE FIN. GRADE  
 (NOT TOP OF SLEEVE)
3. INSTALL THE PANELS IN THE TOP POST (2)  
 USING THE CLIPS (5) AND BOLTS (4) . TIGHTEN
4. AFTER CONCRETE HAS SET 16 hrs. PLACE  
 THE TOP POST (2) IN BASE POST USING A  
 LIFTING DEVICE (CRANE) ROTATE THE POST  
 SO THAT THE PANELS ARE TO THE INSIDE  
 OF THE FIELD
5. REPEAT FOR OTHER FOUL LINE

## AVAILABLE SURFACE MOUNTED

15" X 15" X 1"  
 STEEL PLATE



FLP-30SM  
 SURFACE MOUNT DETAIL

**NOTE: SPECIFICATIONS ARE SUBJECT TO CHANGE**

DO NOT SCALE DRAWING

DATE: 1/17/06

DRAWN BY: AFS