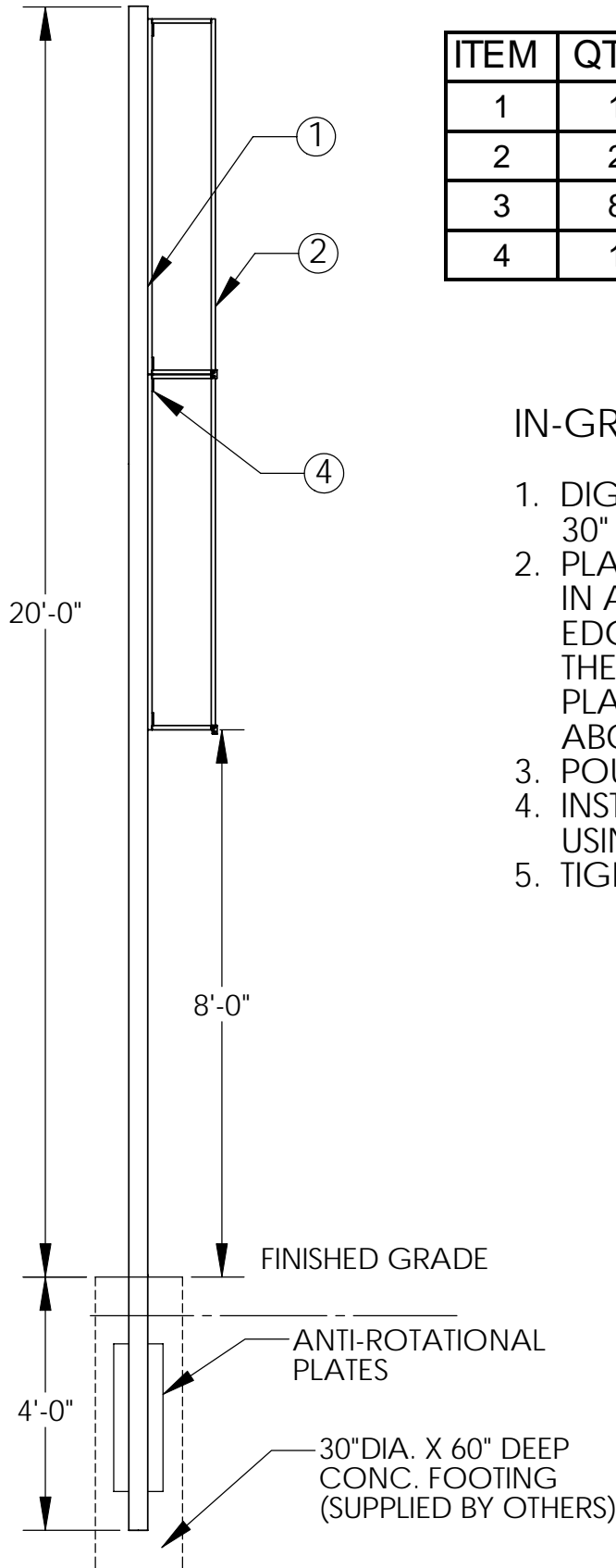


STEELCRAFT PRODUCTS

P.O. Box 90365 - Pasadena, CA 91103
 PHN 626-798-7401 FAX 626-798-1482

MODEL
 FLP-20
 FOUL POLE

SHEET
 1 OF 1

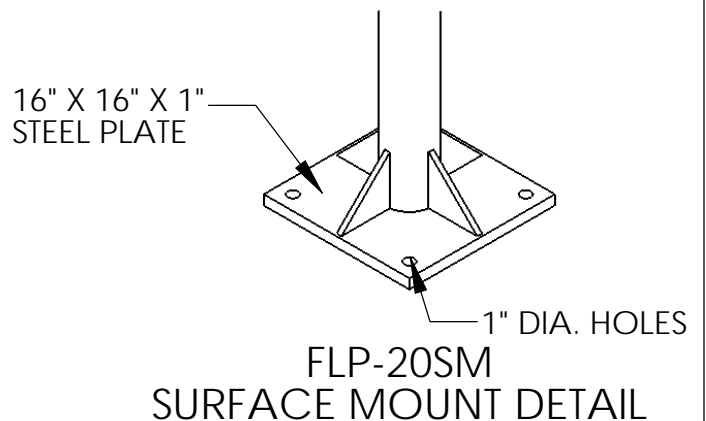


ITEM	QTY.	PART NO	DESCRIPTION
1	1	F04FP04B	4-1/2" OD Sch 40 POST @ 24'
2	2	F02FP000	SCREEN
3	8	P01FP000	BOLT/WASH/NUT (3/8" X 2-1/4")
4	1	F02FP001	CLIPS w/ BOLTS (3/8" X 1-3/4")

IN-GROUND INSTALLATION INSTRUCTIONS:

1. DIG FOOTING AT PROPER LOCATION
 30" DIA. X 60" DEEP
2. PLACE POST (1) INTO FOOTING AND SUPPORT
 IN A PLUMB CONDITION WITH THE OUTSIDE
 EDGE OF PIPE TANGENT TO THE OUTSIDE OF
 THE FOUL LINE AND CLIPS TOWARDS THE
 PLAYING FIELD. TOP OF POST TO BE 20'-0"
 ABOVE FINISHED GRADE.
3. POUR CONCRETE AND WAIT 37 HOURS.
4. INSTALL THE PANELS TO THE TOP POST (1)
 USING THE CLIPS (4) AND BOLTS (3).
5. TIGHTEN ALL BOLTS AND SET SCREWS.

AVAILABLE SURFACE MOUNTED



NOTE: SPECIFICATIONS ARE SUBJECT TO CHANGE

DO NOT SCALE DRAWING

DATE: 6/23/09

DRAWN BY: AFS