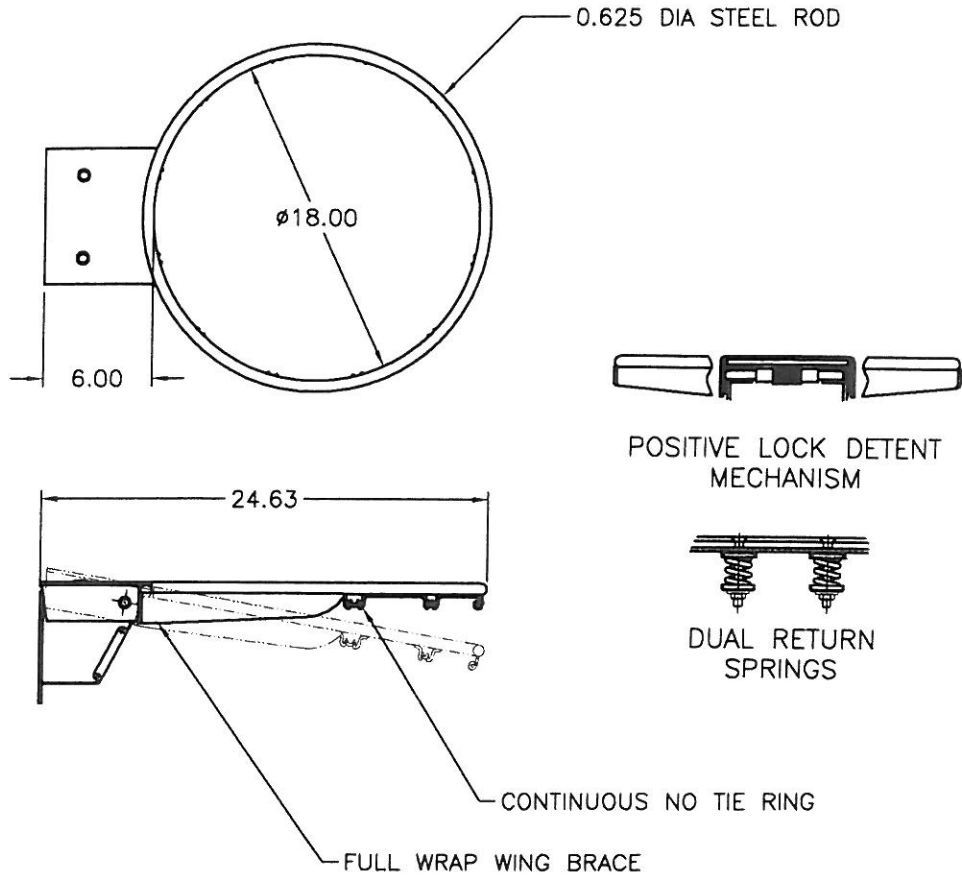


STEELCRAFT PRODUCTS

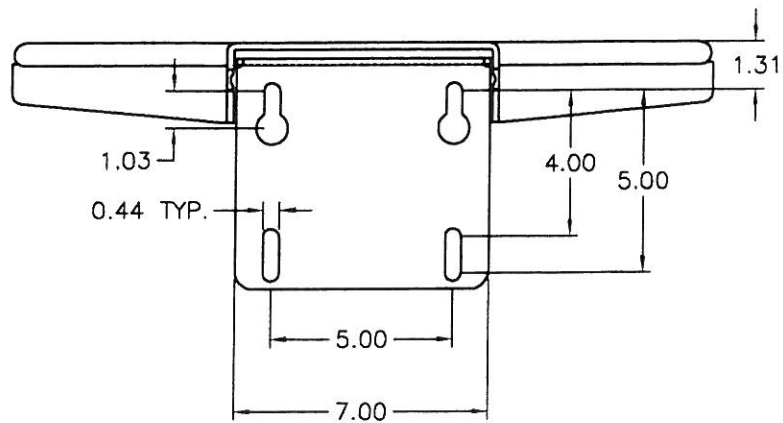
P.O. Box 90365 - Pasadena, CA 91109
PHN 626-798-7401 FAX 626-798-1482

MODEL
COLLEGIATE 2K
GOAL RIM



NOTE:

FINISH - OFFICIAL ORANGE POWDER COAT.
GOAL IS SUPPLIED WITH ANTI-WHIP NYLON NET AND HARDWARE.



MOUNTING PLATE VIEW

NOTE: SPECIFICATIONS ARE SUBJECT TO CHANGE

DO NOT SCALE DRAWING

DATE: 1/19/09

DRAWN BY: AFS

STEELCRAFT PRODUCTS

P.O. Box 90365 - Pasadena, CA 91109
PHN 626-798-7401 FAX 626-798-1482

MODEL
COLLEGIATE 2K
GOAL RIM

COLLEGIATE 2K GOAL RIM POSITIVE LOCK BREAK-AWAY GOAL

The Collegiate 2K goal is constructed with an enclosed positive lock mechanism to hold rim in solid playing position. Official size 18" rim made of 5/8" diameter steel with continuous no-tie net attachment, full wing brace design, and a durable orange powder coated finish. 5" X 5" mounting hole spacing, goal meets all NCAA and high school specifications.

WEIGHT: 27LBS.

NOTE: SPECIFICATIONS ARE SUBJECT TO CHANGE

DO NOT SCALE DRAWING

DATE: 1/19/09

DRAWN BY: AFS