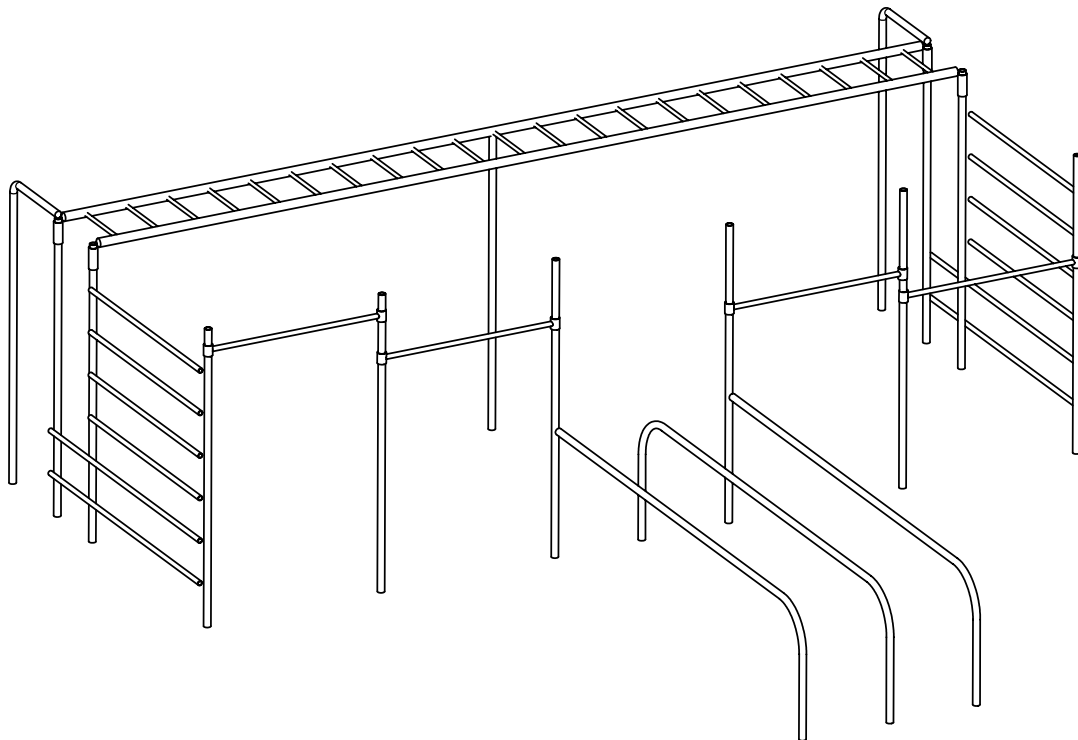


# STEELCRAFT PRODUCTS

P.O. Box 90365 - Pasadena, CA 91109  
PHN 626-798-7401 FAX 626-798-1482

MODEL  
CT-1824  
TEAM CLIMBER



CT-1824 TEAM CLIMBER

NOTES;  
ALL COMPONENTS ARE GALVANIZED FINISH  
VERTICAL POSTS ARE 2-3/8" DIA.  
HORIZONTAL CLIMBING BARS ARE 1-3/8" DIA.  
HORIZ. LADDER IS 2-3/8" DIA. w/ 1" DIA. RUNGS  
PARALLEL BARS ARE 1-7/8" DIA.  
CHIN BARS ARE 1" DIA. SOLID RODS

**NOTE: SPECIFICATIONS ARE SUBJECT TO CHANGE**

DO NOT SCALE DRAWING

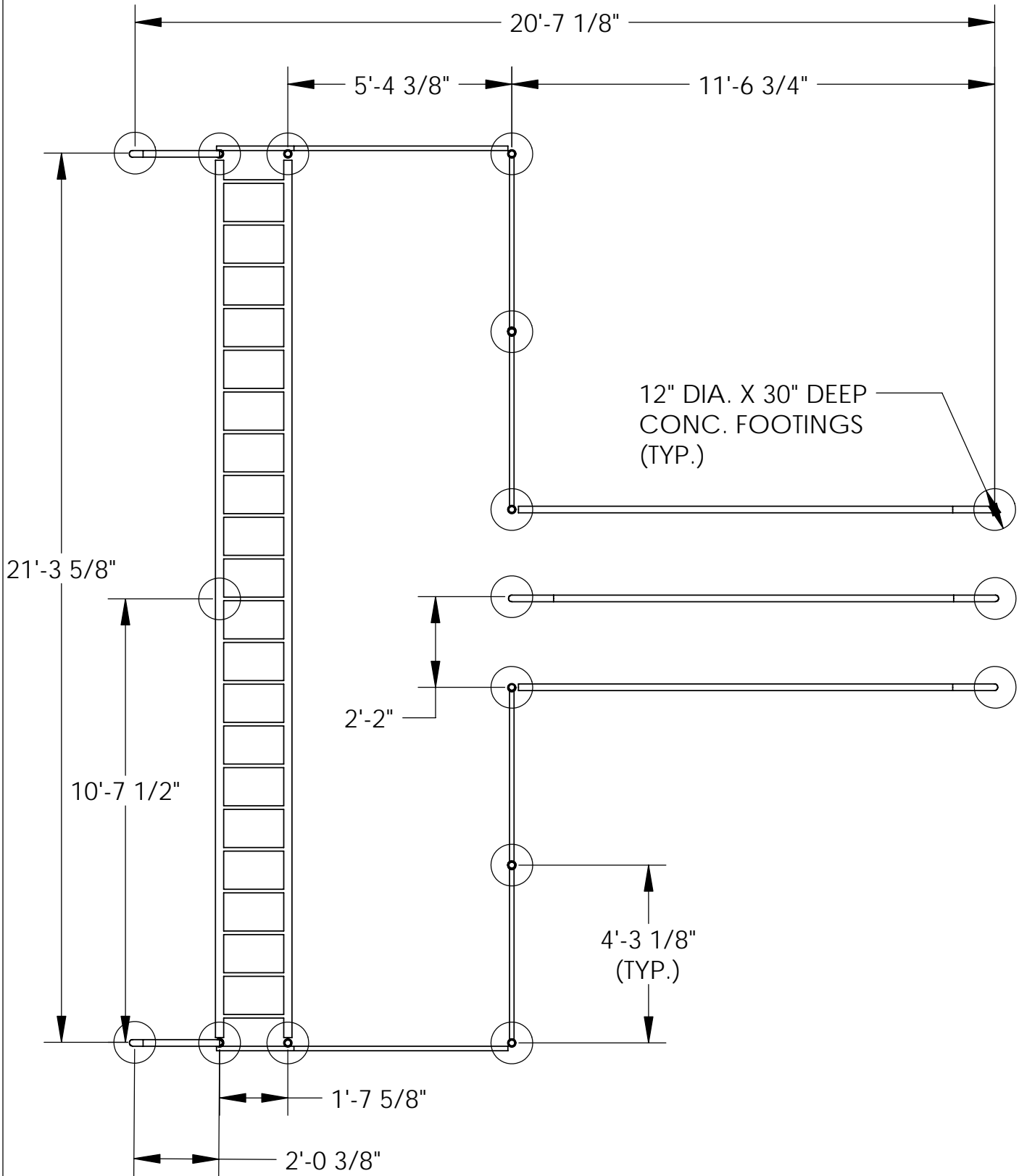
DATE: 7/2/07

DRAWN BY: AFS

# STEELCRAFT PRODUCTS

P.O. Box 90365 - Pasadena, CA 91103  
PHN 626-798-7401 FAX 626-798-1482

MODEL  
CT-1824  
TEAM CLIMBER



PLAN VIEW

**NOTE: SPECIFICATIONS ARE SUBJECT TO CHANGE**

DO NOT SCALE DRAWING

DATE: 7/02/07

DRAWN BY: AFS