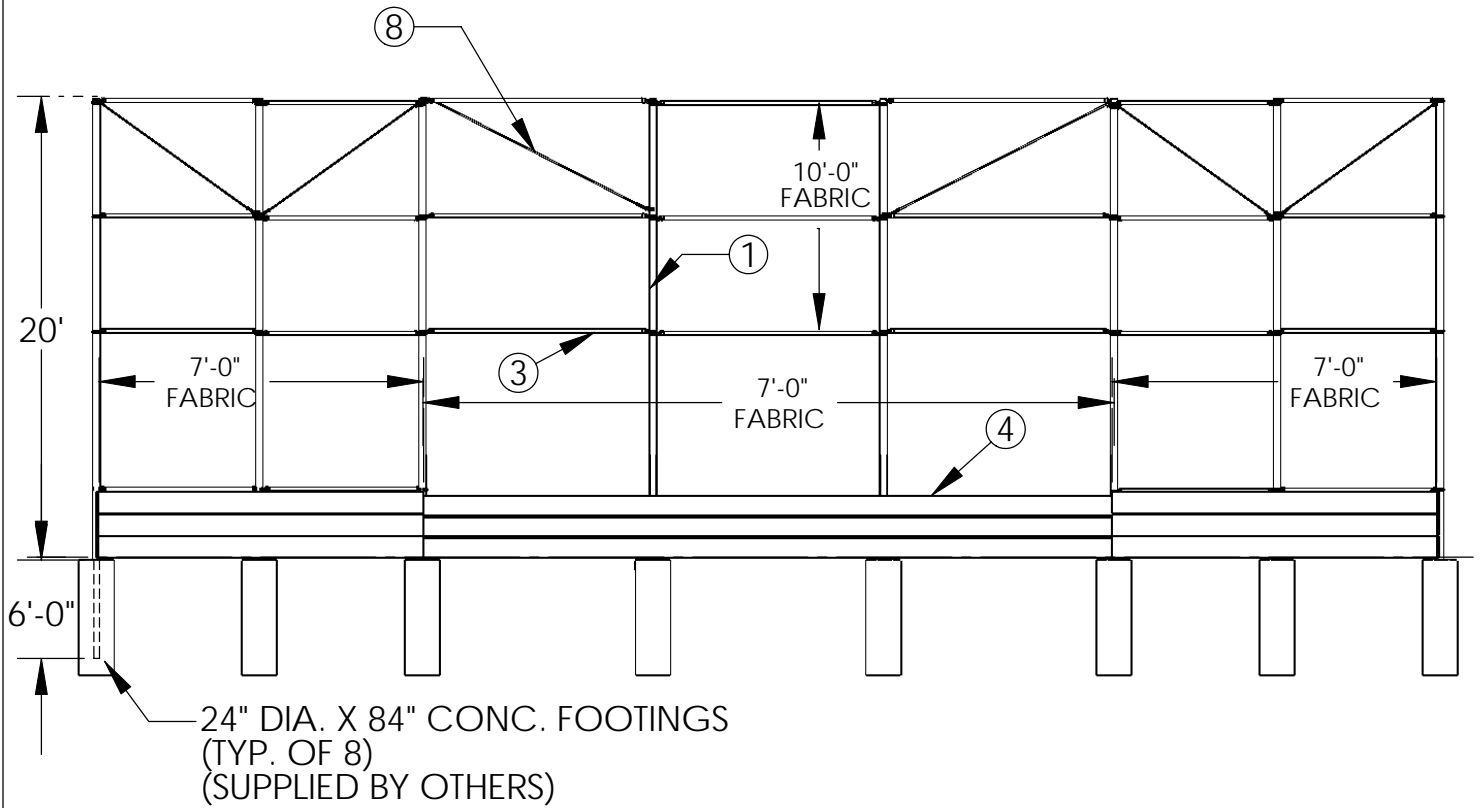


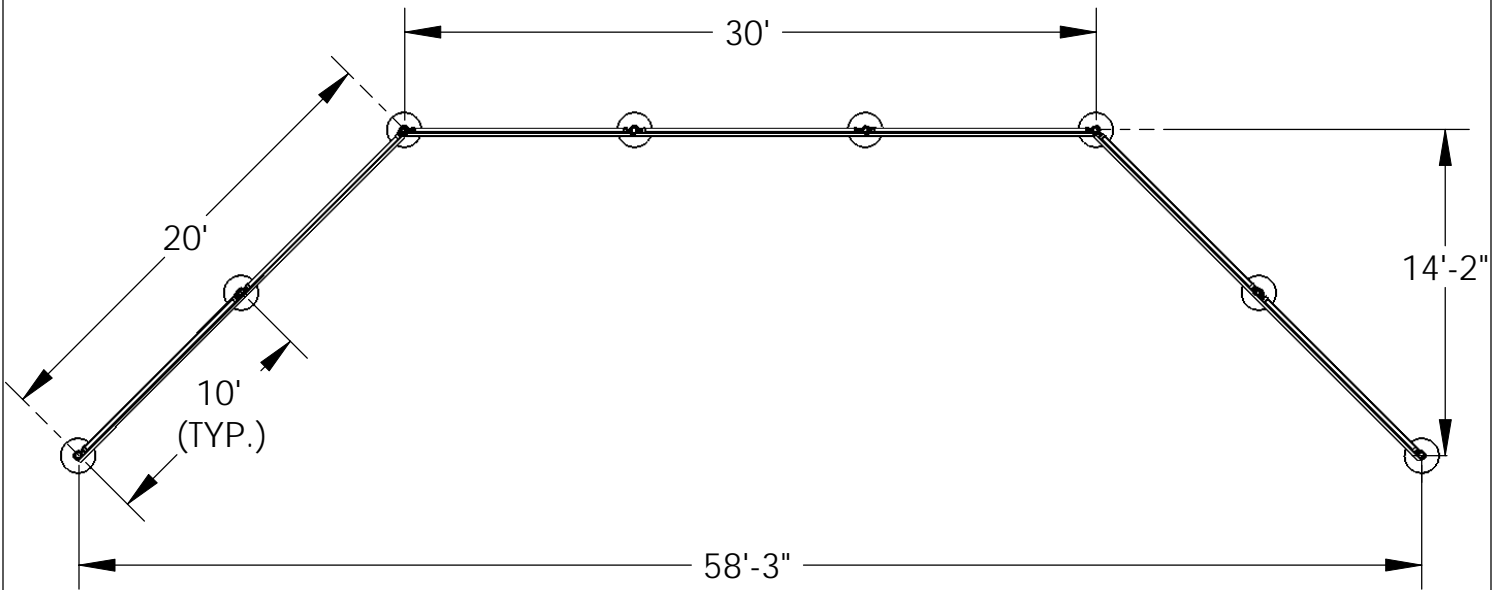
# STEELCRAFT PRODUCTS

P.O. Box 90365 - Pasadena, CA 91109  
PHN 626-798-7401 FAX 626-798-1482

MODEL  
BS-25-ADA  
BASEBALL BACKSTOP



ELEVATION VIEW



PLAN VIEW

NOTE: SPECIFICATIONS ARE SUBJECT TO CHANGE

DO NOT SCALE DRAWING

DATE: 11/30/11

DRAWN BY: AFS

# STEELCRAFT PRODUCTS

P.O. Box 90365 - Pasadena, CA 91109  
PHN 626-798-7401 FAX 626-798-1482

MODEL

BS-25-ADA  
BASEBALL BACKSTOP

## ASSEMBY INSTRUCTIONS

BE SURE THE AREA IS REASONABLY LEVEL BEFORE DIGGING FOOTING HOLES.

1. LOCATE AND DIG EIGHT (8) FOOTING HOLES AT 24" DIA. X 84" DEEP AS SHOWN ON SHEET 1.
2. PLACE THE 4-1/2" OD POSTS IN THE FOOTING HOLES AND SUPPORT IN A PLUMB POSITION WITH THE TOP OF THE POST AT 20'-0" ABOVE FINISHED GRADE.
3. POUR CONCRETE IN THE FOOTING HOLES AND WAIT 17 HOURS BEFORE PROCEEDING.
4. PLACE THE PLANK TO COLUMN CONNECTOR BRACKETS ON THE PIPE COLUMNS. MAKE SURE THE RIGHT AND LEFT HAND BRACKETS ARE IN THE PROPER LOCATIONS AT THE CORNERS.
5. PLACE THE BRACE BANDS IN THE LOCATIONS WITH THE END CUPS IN PLACE FOR INSTALLING THE HORIZONTAL BRACES (**HORIZ. BRACES MUST BE FIELD CUT TO DESIRED LENGTH**). START AT THE TOP AND THE SPACING IS TO BE 5'-0". USE THE 5/16" CARRIAGE BOLTS, LOCK WASHERS AND NUTS FOR ATTACHMENT.
6. PLACE THE CAPS ON THE COLUMNS.
7. SET THE CENTER PLANK TO COLUMN CONNECTOR BRACKET TO THE PROPER GRADE AND LINE WITH THE 5/8" SOCKET SET SCREWS. USING A LEVEL, SET THE REMAINDER OF THE BRACKETS TO LINE AND GRADE.
8. DETERMINE WHERE THE 1/2" HOLES IN THE 2X12 PLANKS NEED TO BE DRILLED. DRILL THE HOLES AND MARK THE BOARDS TO BE INSTALLED LATER. TRIM THE ENDS OF THE BOARDS TO INSURE A TIGHT END FIT.
9. INSTALL THE TRUSS RODS AND TRUSS TIGHTENERS USING THE BRACE BANDS. TIGHTEN THE RODS TWO TURNS BEYOND HAND TIGHT WITH A WRENCH.
10. INSTALL THE WIRE FABRIC USING STANDARD FENCING METHODS (**COMPLYING TO ASTM CHAIN LINK FENCE STANDARDS**). THE UPPER TWO ROWS OF FABRIC IS 10 FT. THE BOTTOM ROW OF FABRIC IS 7 FT.
11. INSTALL THE BACKBOARDS USING THE 3/8" X 2-1/2" CARRIAGE BOLTS/NUTS/WASHERS.

**NOTE: SPECIFICATIONS ARE SUBJECT TO CHANGE**

DO NOT SCALE DRAWING

DATE: 11/30/11

DRAWN BY: AFS