

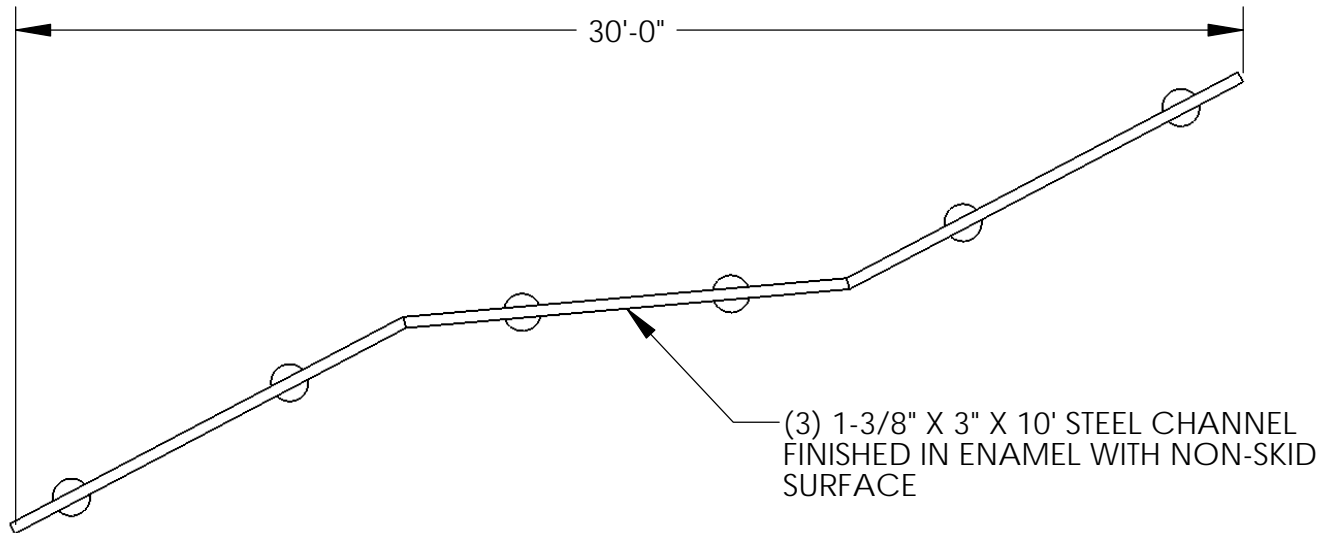
STEELCRAFT PRODUCTS

P.O. Box 90365 - Pasadena, CA 91103
PHN 626-798-7401 FAX 626-798-1482

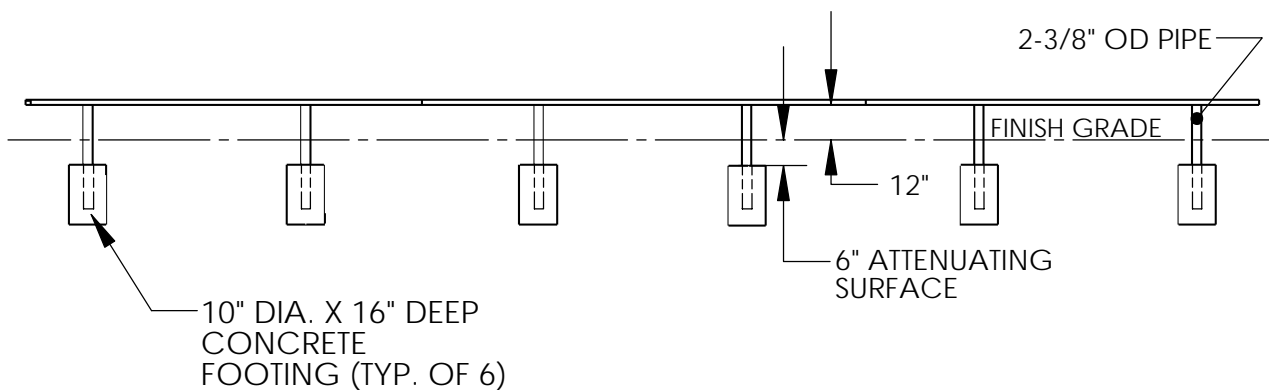
MODEL
BBC-30Z
Z-SHAPED
BALANCE BEAM

SHEET

1 of 1



PLAN VIEW



ELEVATION VIEW

ASSEMBLY INSTRUCTIONS:

1. LAY BEAM ON THE GROUND AT THE INSTALLATION SITE AND MARK THE POSITIONS FOR THE FOOTINGS. DIG SIX FOOTING HOLE 10" DIA. X 16" DEEP.
2. PLACE BEAM IN THE FOOTING HOLES WITH THE TOP OF BEAM AT 12" ABOVE FINISHED GRADE. SUPPORT IN A LEVEL AND PLUMB POSITION.
3. POUR CONCRETE IN THE FOOTINGS TO A LEVEL OF 6" BELOW FINISHED GRADE. ALLOW CONCRETE TO SET FOR 48 HOURS BEFORE REMOVING THE TEMPORARY BRACING.