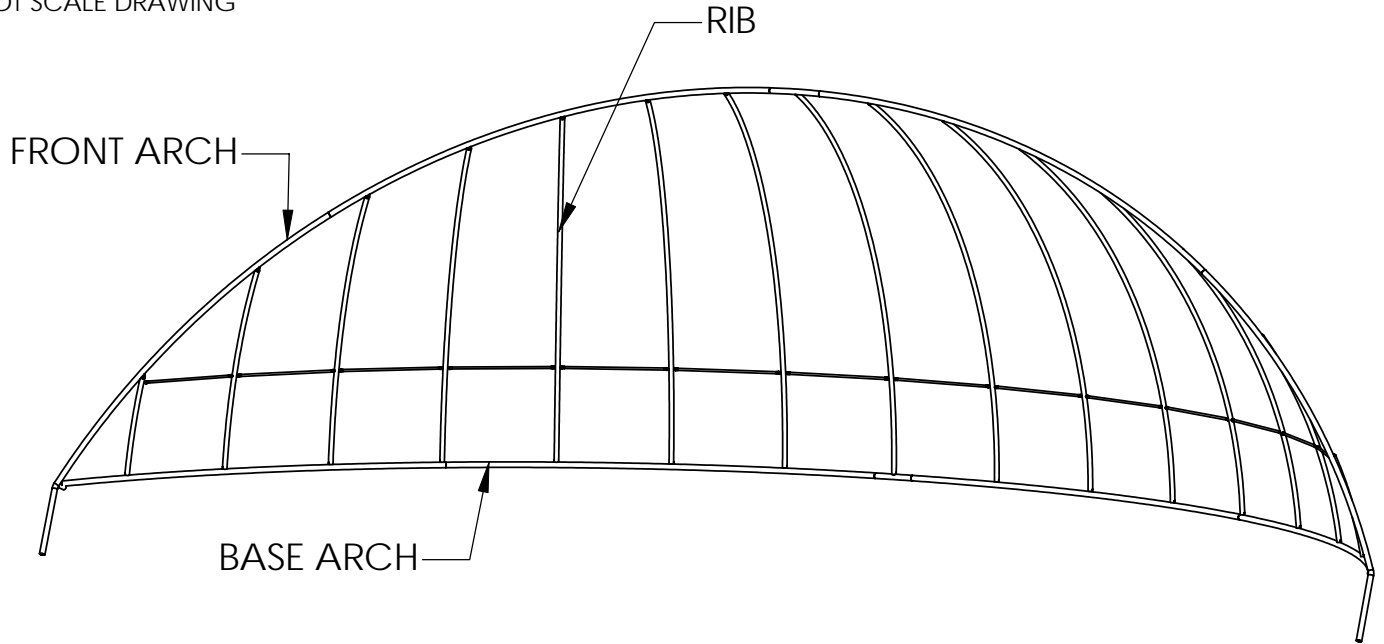


# STEELCRAFT PRODUCTS

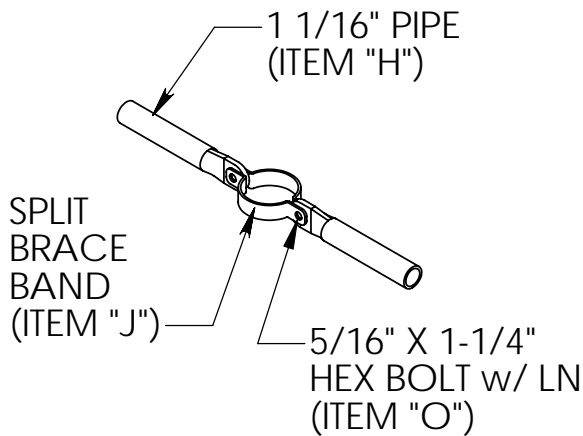
P.O. Box 90365 - Pasadena, CA 91109  
PHN 626-798-7401 FAX 626-798-1482

MODEL  
AB-62L  
BASEBALL BACKSTOP

DO NOT SCALE DRAWING



FRONT ARCH MADE OF 5 SECTIONS OF 2-7/8" PIPE w/ TABS WELDED  
BOTTOM ARCH MADE OF 5 SECTIONS OF 2-7/8" PIPE w/ 1-7/8" STUBS  
THE CENTER SECTION OF THE FRONT ARCH AND BOTTOM ARCH ARE SIMILAR  
RIBS ARE MADE OF 2-3/8" PIPE.  
HORIZONTAL BRACES ARE NOT SHOWN ABOVE.



## HORIZ. BRACE DETAIL

**NOTE: SPECIFICATIONS ARE SUBJECT TO CHANGE**

DO NOT SCALE DRAWING

DATE: 9/28/09

DRAWN BY: AFS

# STEELCRAFT PRODUCTS

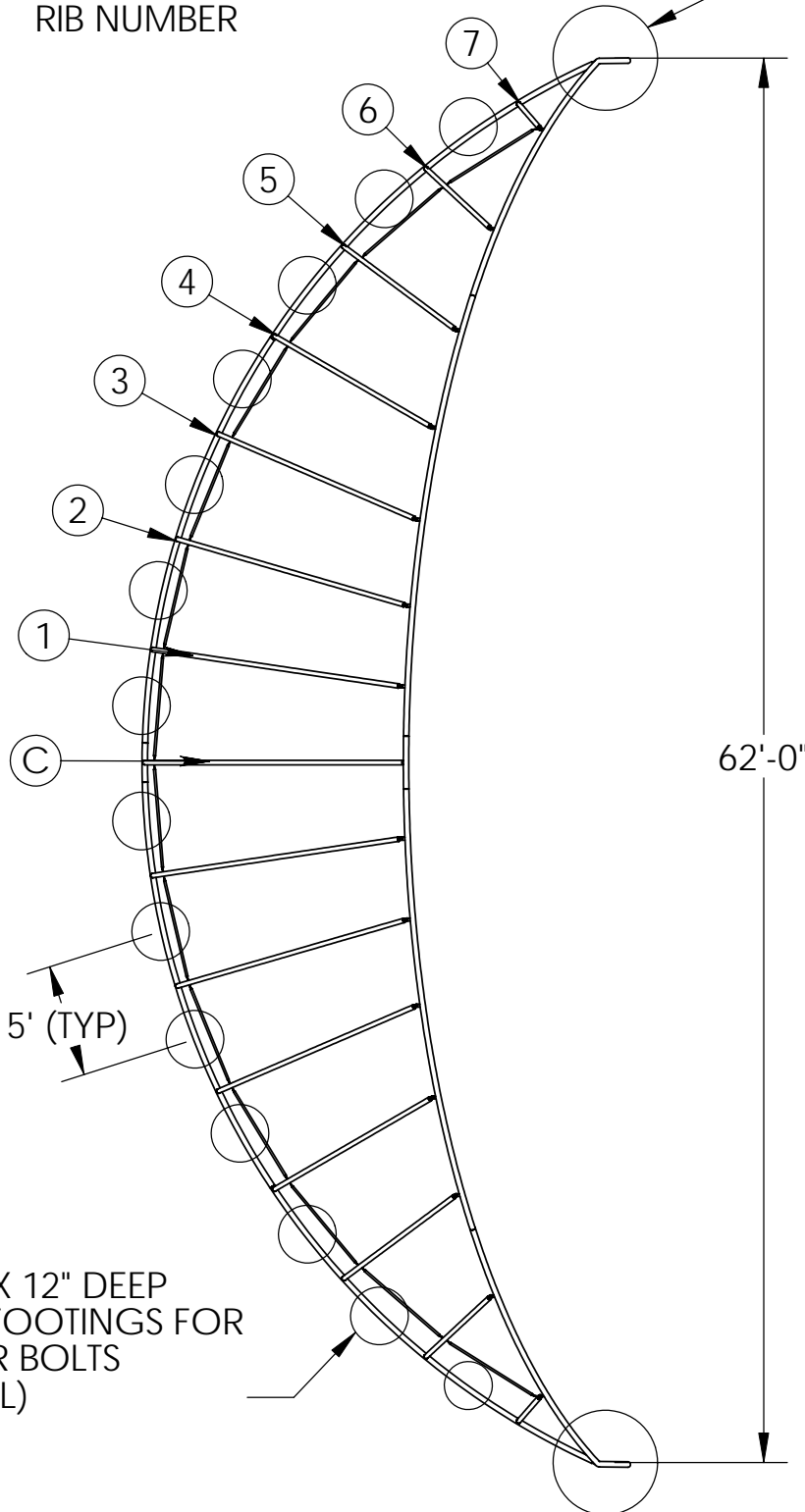
P.O. Box 90365 - Pasadena, CA 91109  
PHN 626-798-7401 FAX 626-798-1482

MODEL  
AB-62L  
BASEBALL BACKSTOP

DO NOT SCALE DRAWING

(X) → INDICATES  
RIB NUMBER

36" DIA. X 48" DEEP  
CONC. FOOTINGS  
FOR MAIN ARCH  
(TYP. OF 2)



62'-0"

PLAN VIEW

5' (TYP)

10" DIA. X 12" DEEP  
CONC. FOOTINGS FOR  
ANCHOR BOLTS  
(14 TOTAL)

20'

**NOTE: SPECIFICATIONS ARE SUBJECT TO CHANGE**

DO NOT SCALE DRAWING

DATE: 9/28/09

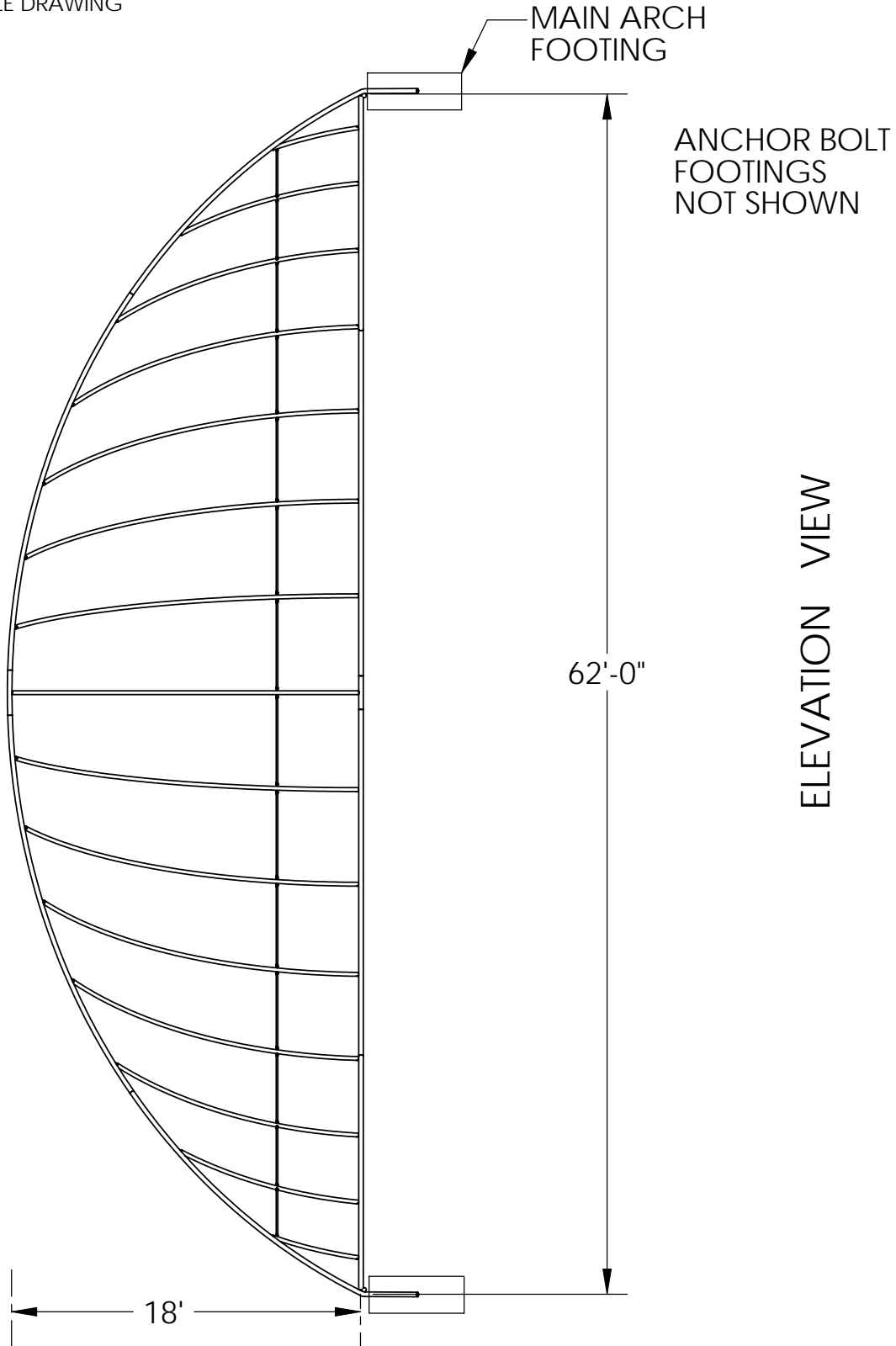
DRAWN BY: AFS

# STEELCRAFT PRODUCTS

P.O. Box 90365 - Pasadena, CA 91109  
PHN 626-798-7401 FAX 626-798-1482

MODEL  
AB-62L  
BASEBALL BACKSTOP

DO NOT SCALE DRAWING



NOTE: SPECIFICATIONS ARE SUBJECT TO CHANGE

DO NOT SCALE DRAWING

DATE: 9/28/09

DRAWN BY: AFS