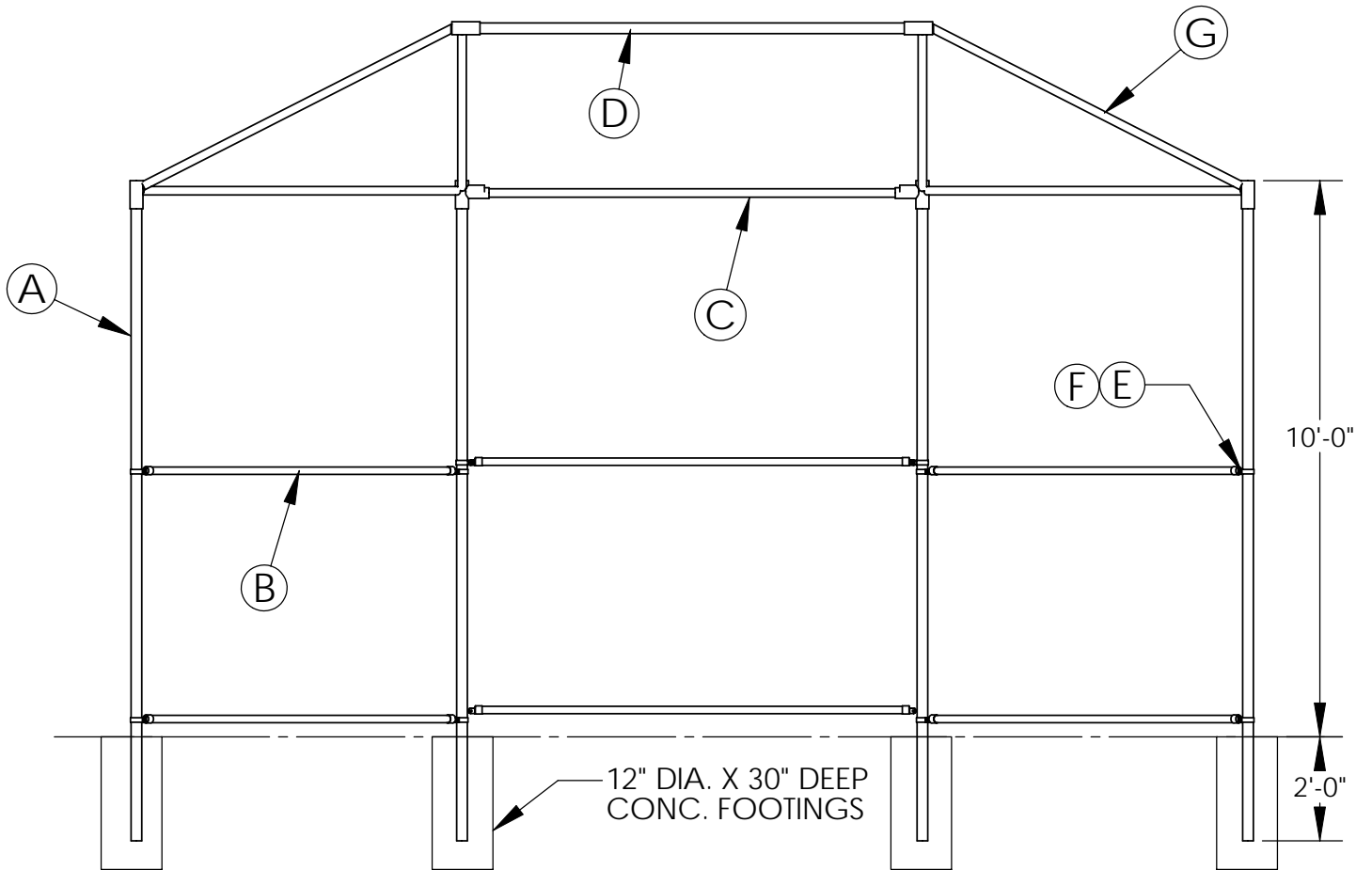


STEELCRAFT PRODUCTS

P.O. Box 90365 - Pasadena, CA 91109
PHN 626-798-7401 FAX 626-798-1482

MODEL
810JH-4C
BASEBALL BACKSTOP

SHEET
1 OF 2



ELEVATION VIEW

NOTE: SPECIFICATIONS ARE SUBJECT TO CHANGE

DO NOT SCALE DRAWING

DATE: 12/15/06

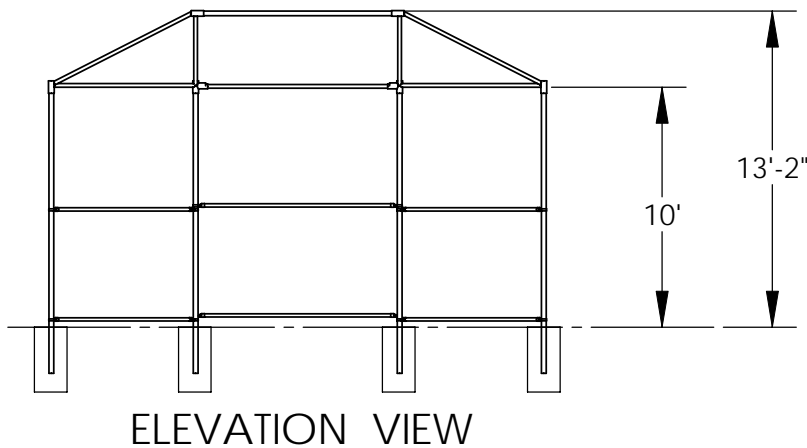
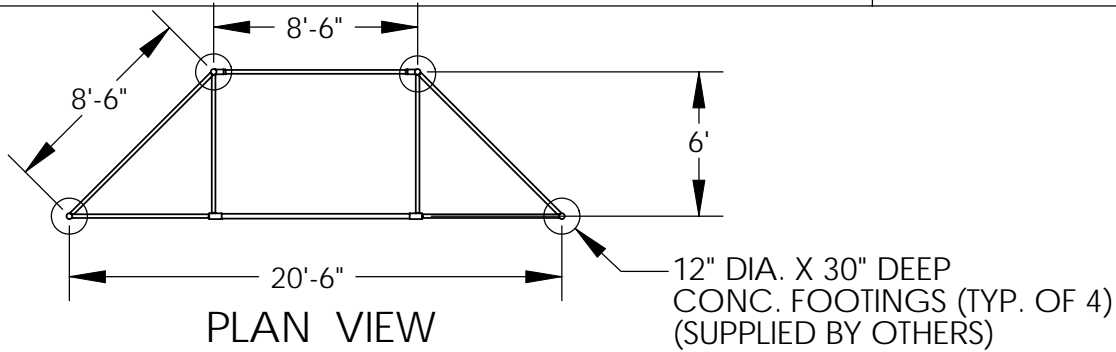
DRAWN BY: AFS

STEELCRAFT PRODUCTS

P.O. Box 90365 - Pasadena, CA 91109
PHN 626-798-7401 FAX 626-798-1482

MODEL
810JH-4C
BASEBALL BACKSTOP

SHEET
2 OF 2



ASSEMBLY INSTRUCTIONS

1. Locate the footing holes at the site in the proper orientation. Dig the four footing holes as shown above.
2. Place the four posts in the footing and support in a plumb and level position at the proper spacing. You can use the prefabricated corner sections to insure that the post spacing for the diagonals is correct. Pour concrete into the footing holes and wait 37 hours before proceeding.
3. Attach the two prefabricated corner sections and secure with the set screws.
4. Attach the front rail into the corner sections and secure with set screws.
5. Attach the six horizontal pipe braces with the rail end fittings and brace bands.
6. Straighten framework and securely tighten all set screws using a hammer and socket key.
7. Attach the 11 ga. fabric to the center hood section. Weave the two tension bars into last loop on each side of the fabric and attach to the pre-fab frames with tension bands. Use six on each side. Stretch fabric tight.
8. Measure the distance on the vertical panels so you can cut the 9 ga. fabric to the proper length. Unweave one strand of wire and then insert a tension bar into the last loop of each end. Place the panel between two posts with the tension bars adjacent to the post and attach in the same manner as the hood section using tension bands. Stretch fabric tight.
9. Assemble the remaining two panels in the same manner. Using the tie wire (N), fasten fabric to the horizontal braces, skids, pre-fab corners and bottom brace.

NOTE: SPECIFICATIONS ARE SUBJECT TO CHANGE

DO NOT SCALE DRAWING

DATE: 12/15/06

DRAWN BY: AFS