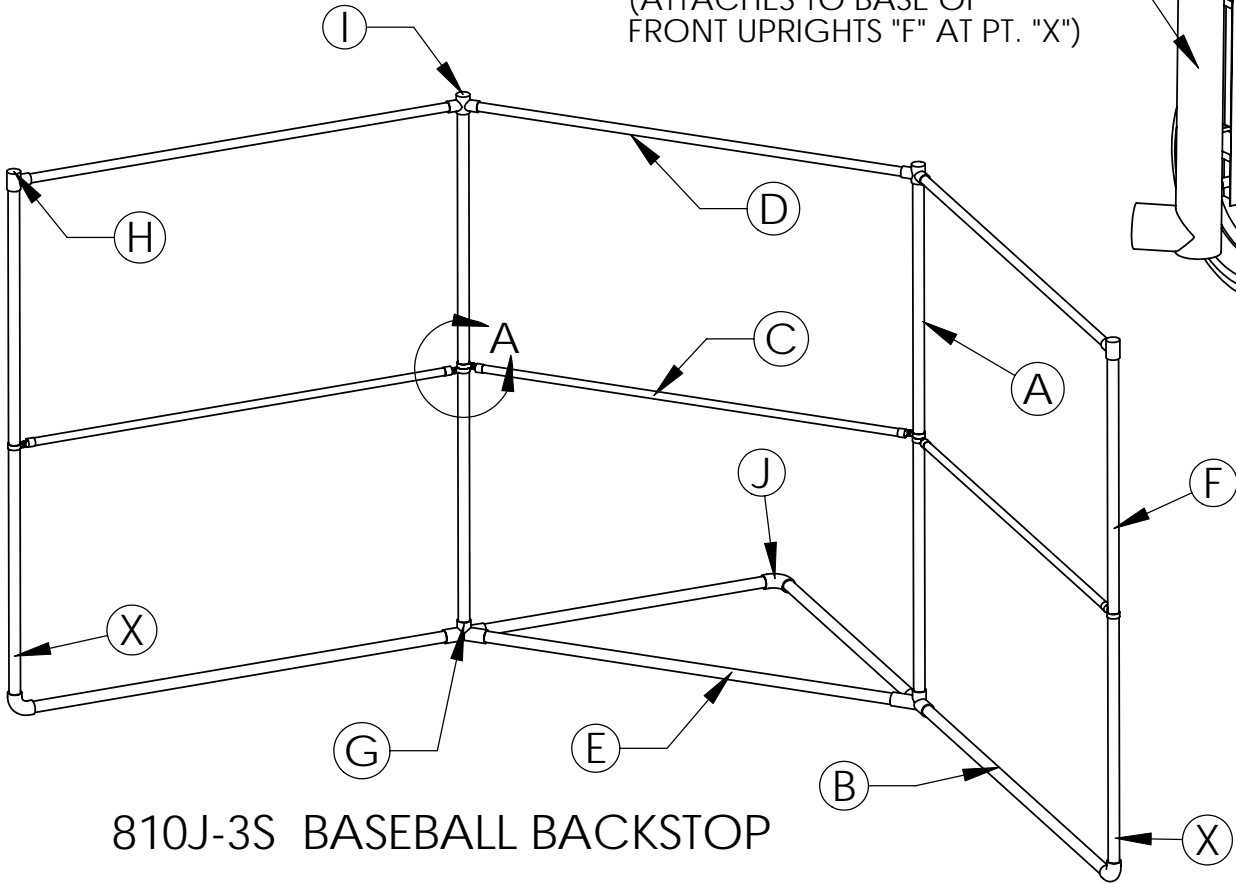
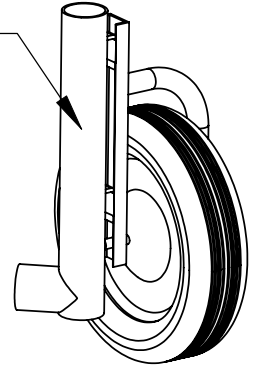


STEELCRAFT PRODUCTS

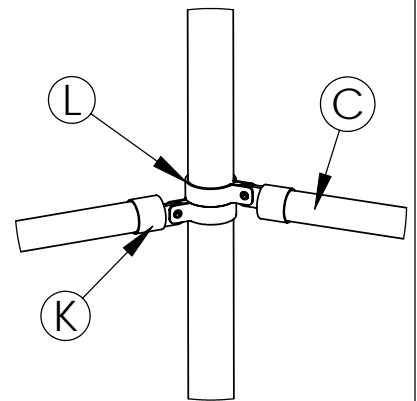
P.O. Box 90365 - Pasadena, CA 91109
PHN 626-798-7401 FAX 626-798-1482

MODEL
810J-3S
PORTABLE
BASEBALLBACKSTOP

OPTIONAL WHEEL ASSEMBLY
(ATTACHES TO BASE OF
FRONT UPRIGHTS "F" AT PT. "X")



810J-3S BASEBALL BACKSTOP



CORNER
DETAIL

NOTE: SPECIFICATIONS ARE SUBJECT TO CHANGE

DO NOT SCALE DRAWING

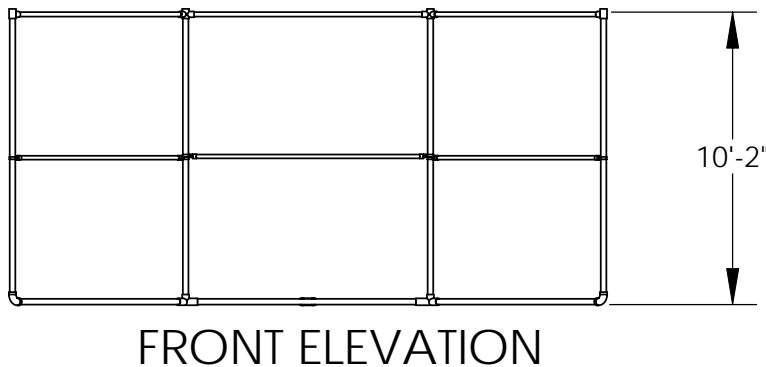
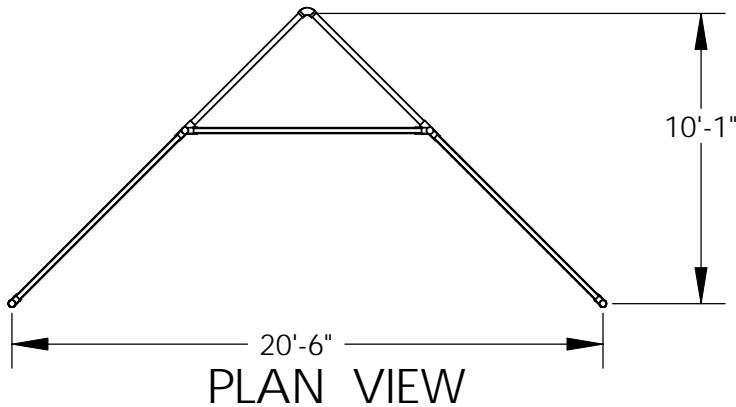
DATE: 10/5/09

DRAWN BY: AFS

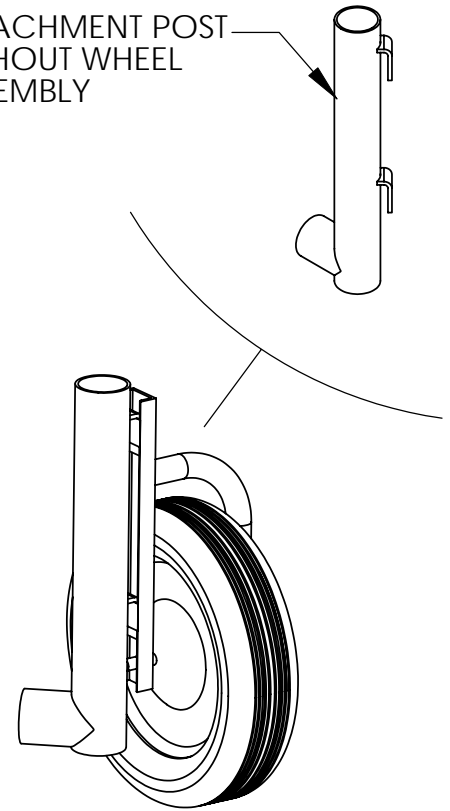
STEELCRAFT PRODUCTS

P.O. Box 90365 - Pasadena, CA 91109
PHN 626-798-7401 FAX 626-798-1482

MODEL
810J-3S
PORTABLE
BASEBALL BACKSTOP



ATTACHMENT POST
WITHOUT WHEEL
ASSEMBLY



ASSEMBLY INSTRUCTIONS

1. Assemble the two skids on the ground to form a right angle. Slide the 3 way fittings (G) on each skid pipe. Note that there are right and left hand units.
2. (Note: for optional wheel assembly only) Attach the two wheel attachment posts to each end of the skid pipe. Notice there are a left and right hand units.
3. Insert the cross brace pipe (E) into the 3 way fittings between the skids.
4. Assemble the four uprights (A) into the fittings and secure with set screw.
5. Attach the front rail (D) into the pre-fab sections and secure with set screws.
6. Attach the three horizontal pipe braces (C) with the rail end fittings (K) and brace bands (L).
7. Straighten framework and securely tighten all set screws using a hammer and socket key.
8. Measure the distance on the vertical panels so you can cut the 9 ga. fabric to the proper length. Unweave one strand of wire and then insert a tension bar (M) into the last loop of each end. Place the panel between two posts with the tension bars adjacent to the post and attach in the same manner as the hood section using tension bands (N). Stretch fabric tight.
9. Assemble the remaining two panels in the same manner. Using the tie wire (O), fasten fabric to the horizontal braces (C), skids (E) and bottom brace (B).

NOTE: SPECIFICATIONS ARE SUBJECT TO CHANGE

DO NOT SCALE DRAWING

DATE: 10/5/09

DRAWN BY: AFS