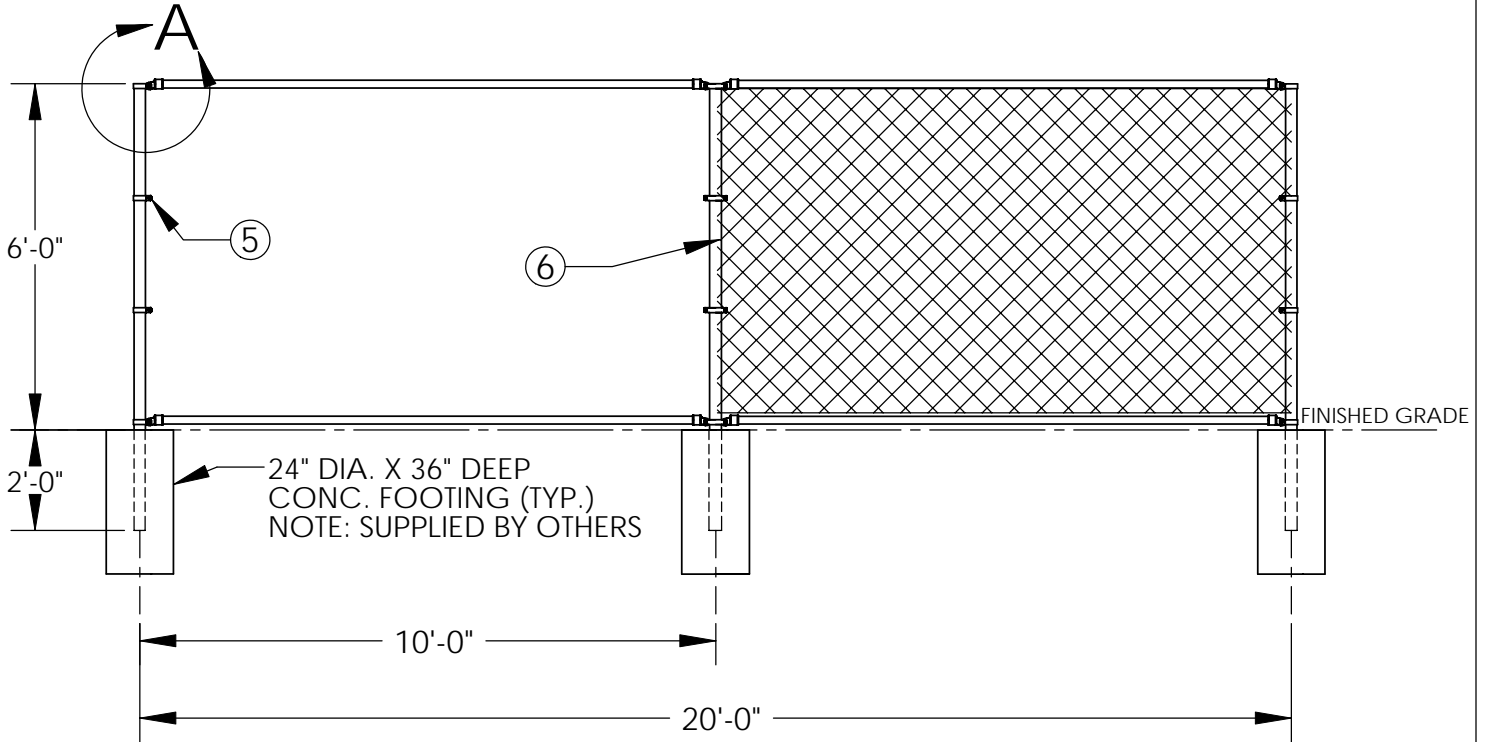


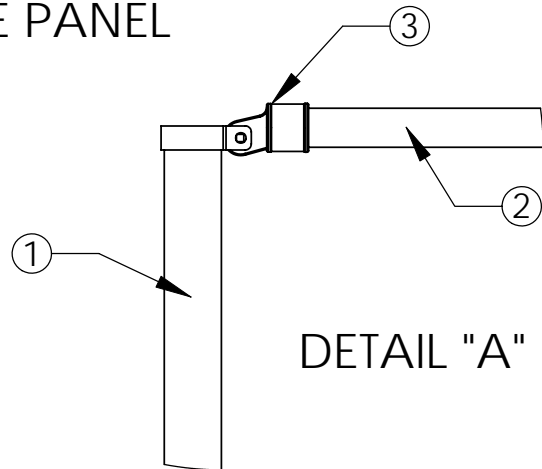
STEELCRAFT PRODUCTS

P.O. Box 90365 - Pasadena, CA 91109
 PHN 626-798-7401 FAX 626-798-1482

MODEL
 620KD
 FENCE PANEL



620KD FENCE PANEL



DETAIL "A"

ITEM	QTY.	PART NO.	DESCRIPTION
1	3	F04BS238	2-3/8" OD X 8'-0" GALV Sch 40 POST
2	4	F04BS158	1-5/8" OD X 9'-6-1/2" GALV Sch 40 BRACE
3	8	P06BS900	2-3/8" BRACE BAND END CAP w/ BOLTS
4	12	P06BS901	2-3/8" TENSION BANDS w/ BOLTS
5	4	P06BS302	3/4" X 72" TENSION BAR
6	2	P06BS303	2" X 9ga. WIRE FABRIC @ 6' X 10'
7	20		5/16" X 1-1/4" BOLTS W/ N, W
8	50		TIE WIRES

NOTE: SPECIFICATIONS ARE SUBJECT TO CHANGE

DO NOT SCALE DRAWING

DATE: 5/19/09

DRAWN BY: AFS