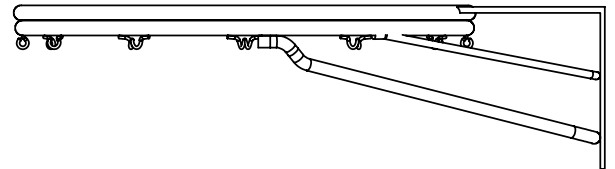
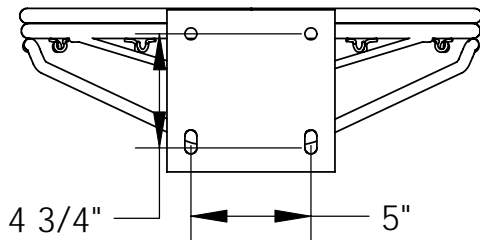
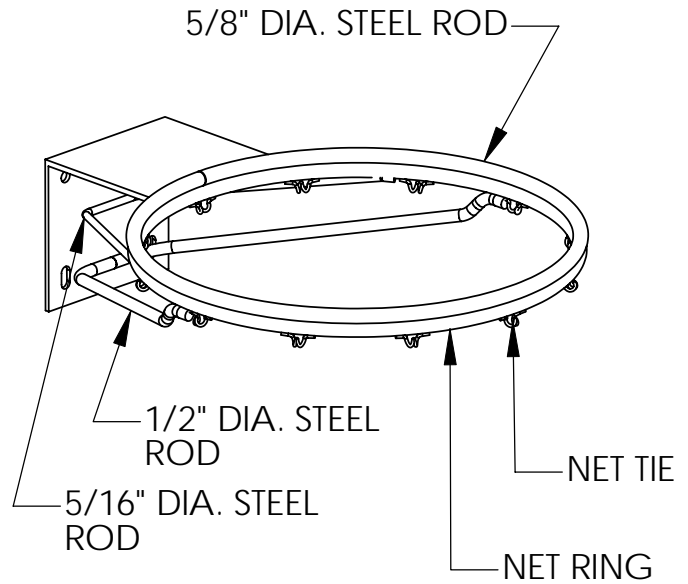
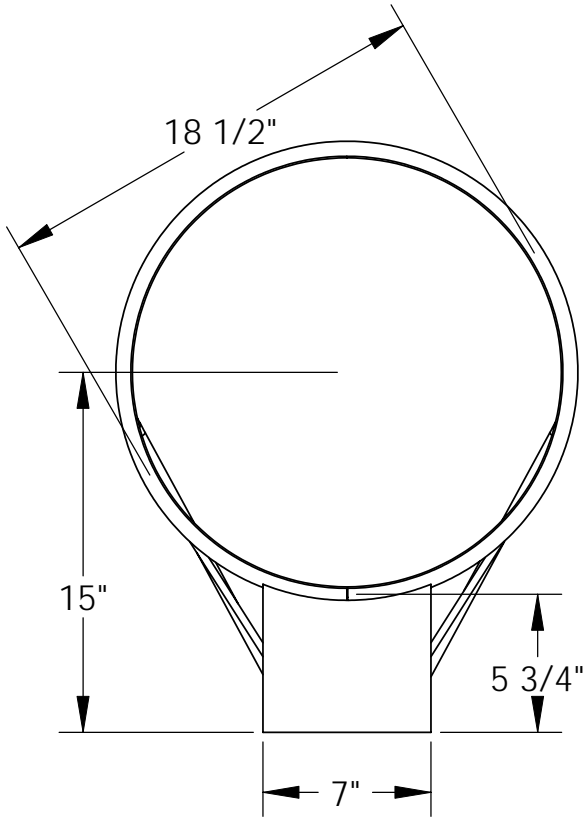


STEELCRAFT PRODUCTS

P.O. Box 90365 - Pasadena, CA 91109
PHN 626-798-7401 FAX 626-798-1482

MODEL
600N
BASKETBALL
GOAL RIM



GOAL RIM WILL WITHSTAND 800 lbs. BEFORE SUSTAINING PERMANENT BEND

DOUBLE GOAL RIM WITH NET TIES FOR ATTACHING NETS

PHOSPHATE TREATED THEN POWDER COATED OFFICAL ORANGE COLOR

UNIVERSAL MOUNTING PATTERN

USES NYLON NET

WEIGHS 18 lbs.

NOTE: SPECIFICATIONS ARE SUBJECT TO CHANGE

DO NOT SCALE DRAWING

DATE: 10/29/08

DRAWN BY: AFS