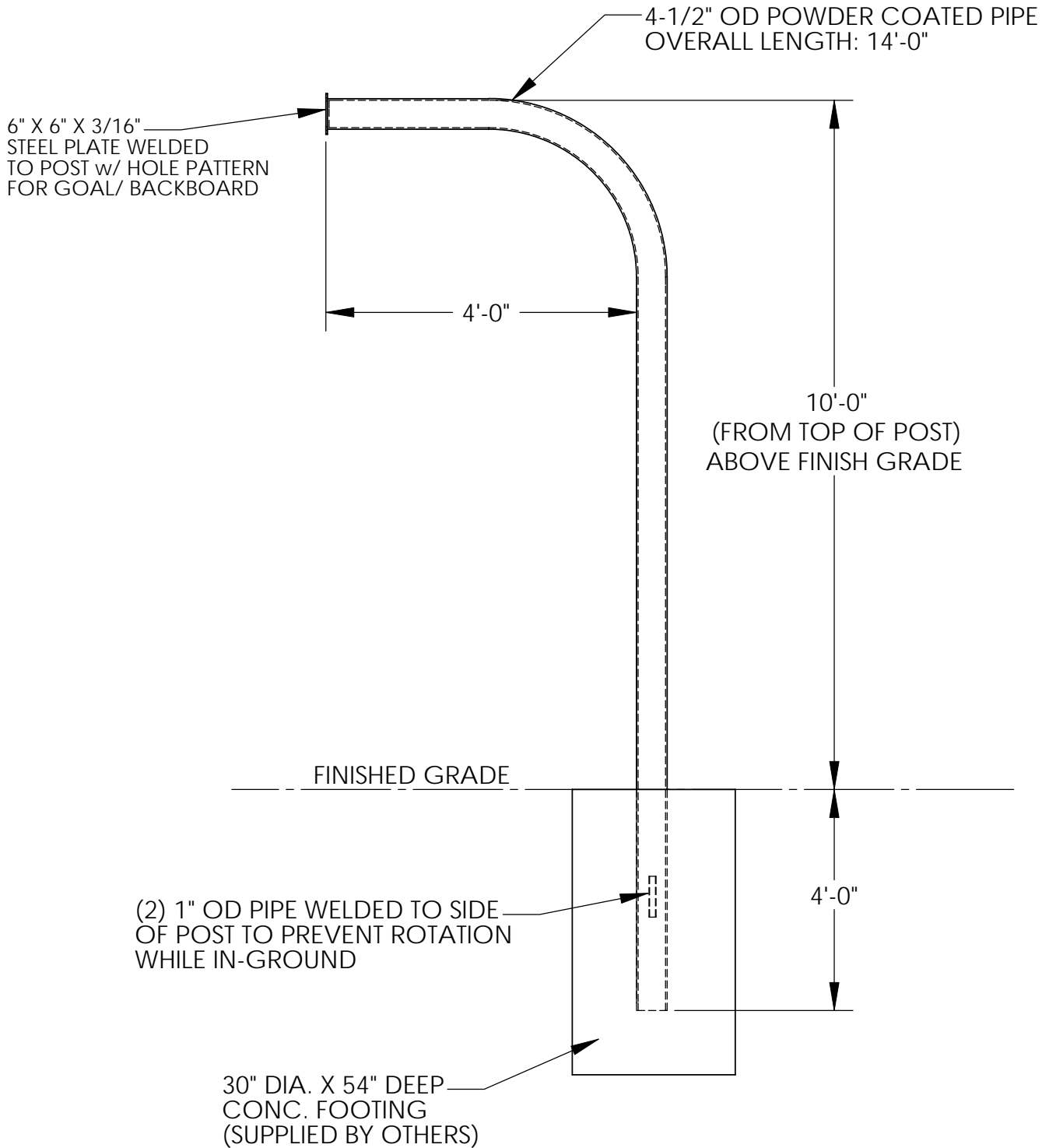


# STEELCRAFT PRODUCTS

P.O. Box 90365 - Pasadena, CA 91103  
PHN 626-798-7401 FAX 626-798-1482

MODEL  
12C44PC  
CURVED BASKETBALL  
POST



**NOTE: SPECIFICATIONS ARE SUBJECT TO CHANGE**

DO NOT SCALE DRAWING

DATE: 9/11/06

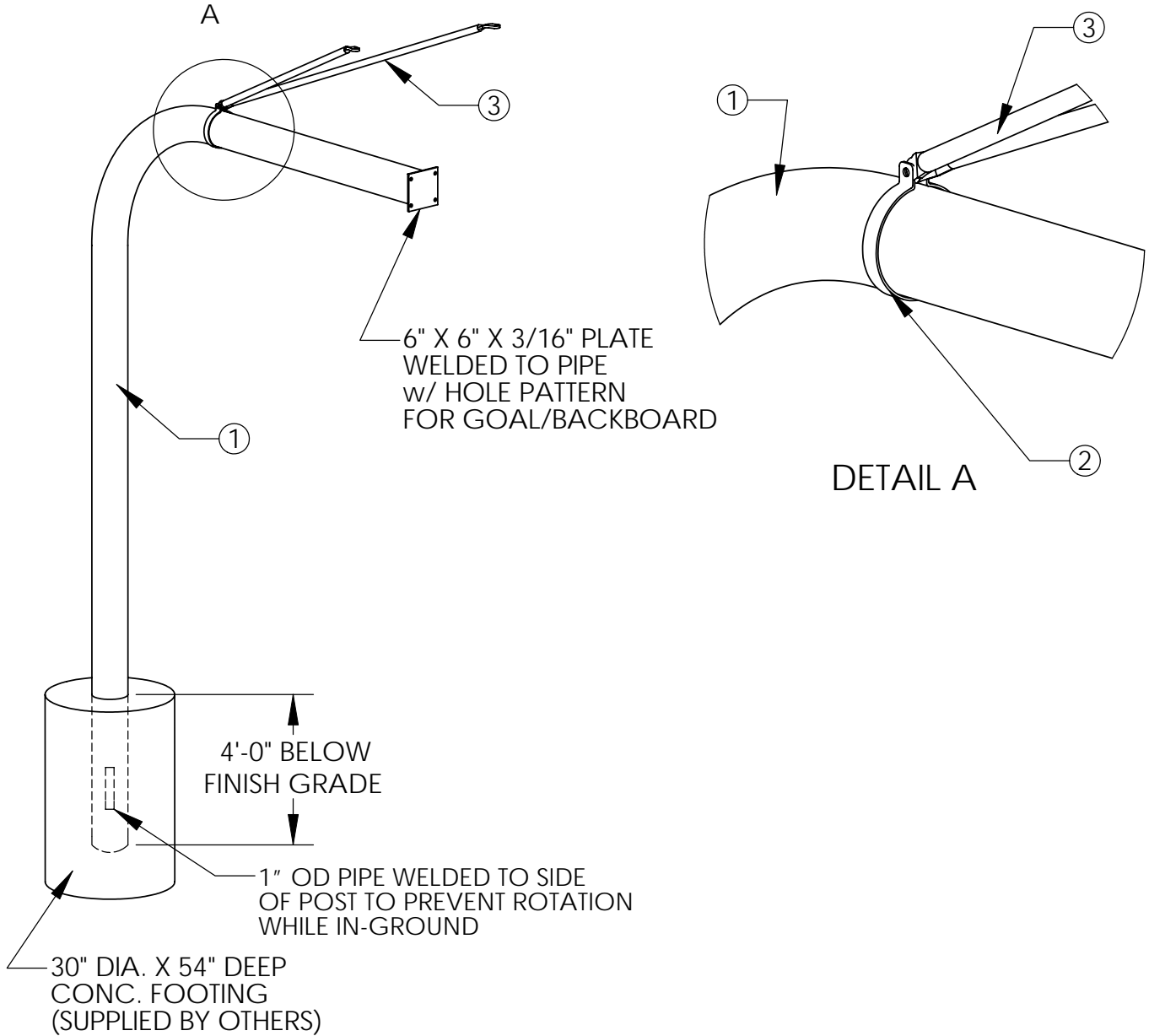
DRAWN BY: AFS

# STEELCRAFT PRODUCTS

P.O. Box 90365 - Pasadena, CA 91103  
 PHN 626-798-7401 FAX 626-798-1482

MODEL  
 12C44PC  
 w/ FAN SHAPE EXT.  
 BASKETBALL POST

**NOTE: NUMBER OF BRACES VARIES BY MODEL OF BACKBOARD**



ITEM	QTY.	DESCRIPTION
1	1	4-1/2" OD POWDER COATED PIPE @ 14'-0" w/ 4'-0" EXT.
2	1	BRACE BAND w/ 3/8" X 1-3/4" HEX BOLT w/ 2N, FW
3	2	4' X 1" OD P/C TUBE BRACING (FAN SHAPED BACKBOARD)
4	3	5/16" X 1-1/4" HEX BOLT w/ N, W & LW FOR BRACES

**NOTE: SPECIFICATIONS ARE SUBJECT TO CHANGE**

DO NOT SCALE DRAWING

DATE: 9/17/08

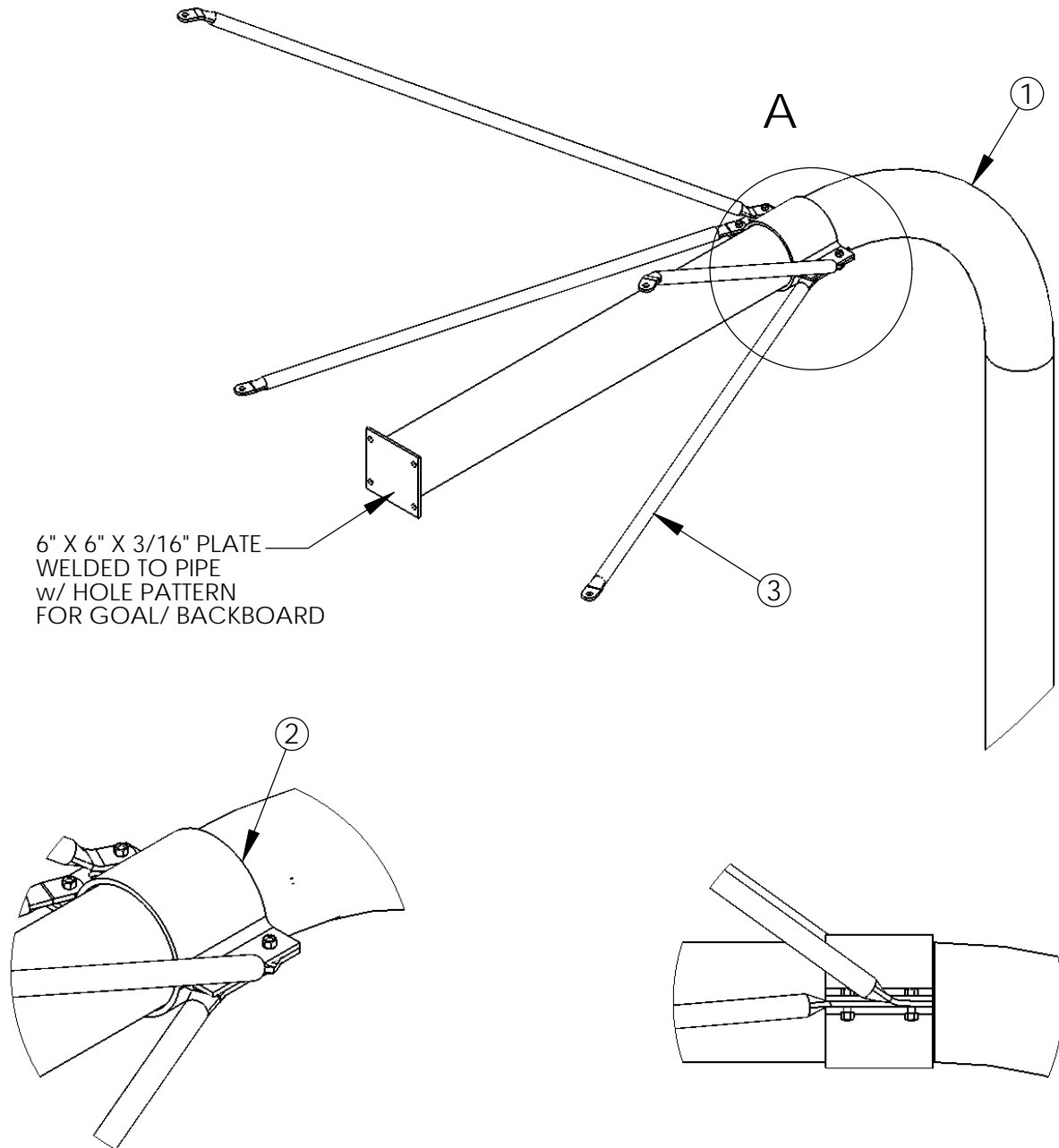
DRAWN BY: AFS

# STEELCRAFT PRODUCTS

P.O. Box 90365 - Pasadena, CA 91103  
 PHN 626-798-7401 FAX 626-798-1482

MODEL  
 12C44PC  
 w/ RECT. SHAPE EXT.  
 BASKETBALL POST

**NOTE: NUMBER OF BRACES VARIES BY MODEL OF BACKBOARD**



ITEM	QTY.	DESCRIPTION
1	1	4-1/2" OD POWDER COATED PIPE @ 14'-0" w/ 4'-0" EXT.
2	2	HALF CLAMP FOR BRACE CONNECTION (TOP & BOTTOM)
3	4	1" OD P/C BRACE- TOP & BOTTOM
4	4	1/2" X 2-1/4" HEX BOLT w/ LW, FW & LN
5	8	5/16" X 1-1/4" HEX BOLTS w/ LW, FW & LN

**NOTE: SPECIFICATIONS ARE SUBJECT TO CHANGE**

DO NOT SCALE DRAWING

DATE: 9/17/08

DRAWN BY: AFS