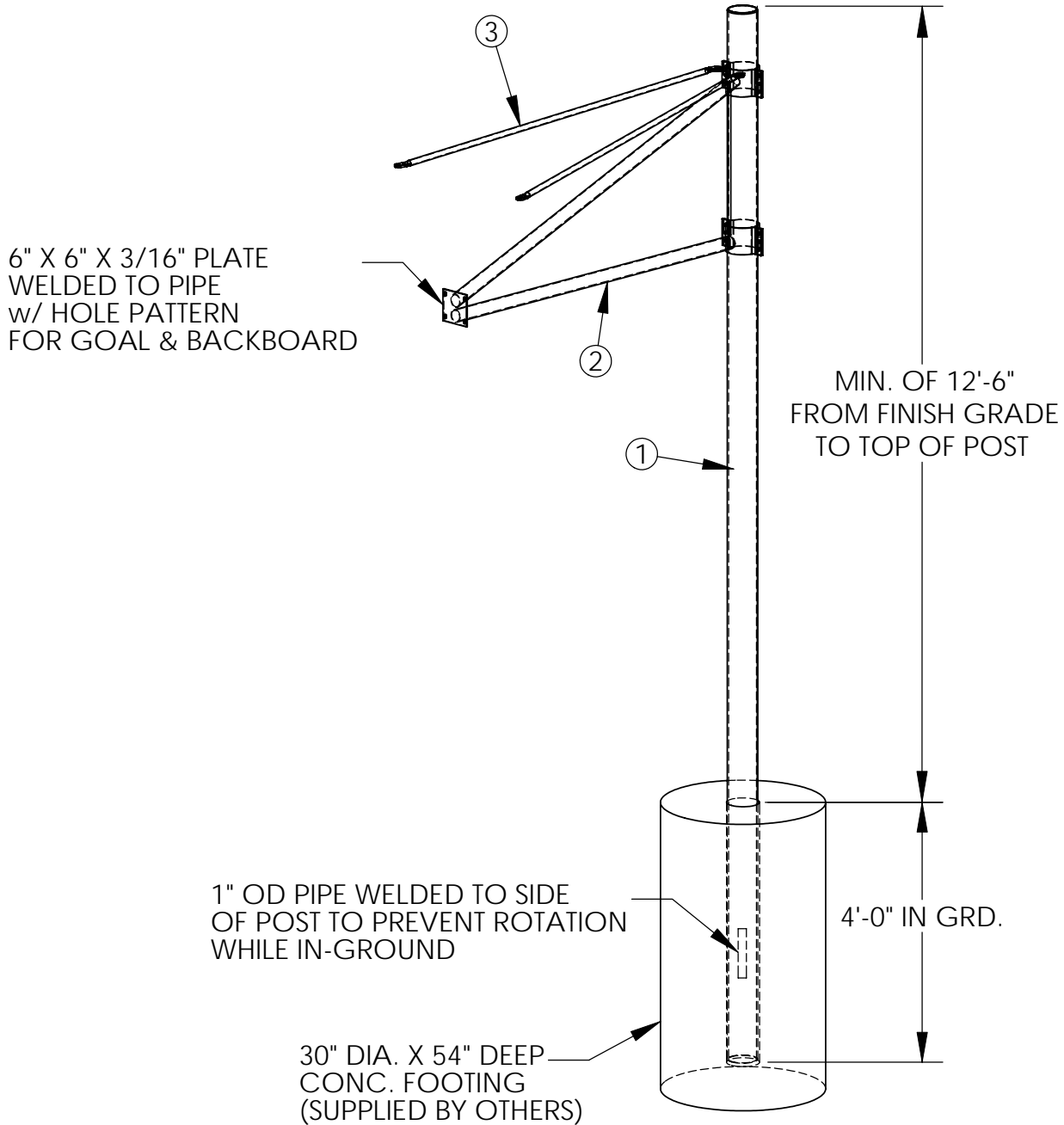


# STEELCRAFT PRODUCTS

P.O. Box 90365 - Pasadena, CA 91109  
 PHN 626-798-7401 FAX 626-798-1482

MODEL  
 1256PC  
 w/ FAN SHAPE EXT.  
 BASKETBALL POST

**NOTE: NUMBER BRACES VARIES BY MODEL OF BACKBOARD**



ITEM	QTY.	DESCRIPTION
1	1	5-9/16"OD POWDER COATED PIPE w/ WELDED CAP & 6'-0" EXT.
2	1	6'-0" EXT. FRAME
3	1	1" OD P/C TUBE BRACING

**NOTE: SPECIFICATIONS ARE SUBJECT TO CHANGE**

DO NOT SCALE DRAWING

DATE: 8/25/09

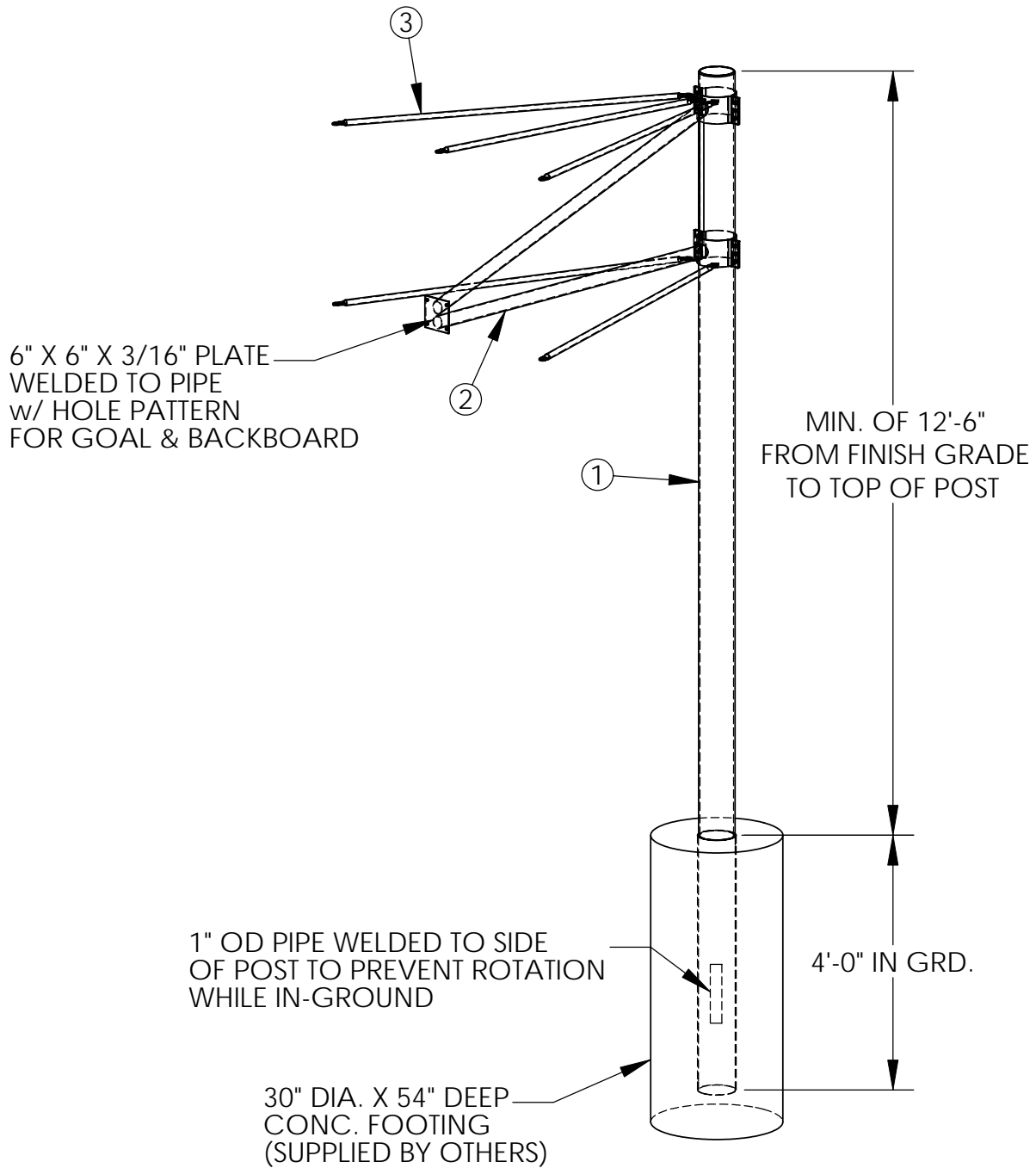
DRAWN BY: AFS

# STEELCRAFT PRODUCTS

P.O. Box 90365 - Pasadena, CA 91109  
 PHN 626-798-7401 FAX 626-798-1482

MODEL  
 1256PC  
 w/ RECT. SHAPE EXT.  
 BASKETBALL POST

**NOTE: NUMBER OF BRACES VARIES BY MODEL OF BACKBOARD**



ITEM	QTY.	DESCRIPTION
1	1	5-9/16"OD POWDER COATED PIPE w/ WELDED CAP & 6'-0" EXT.
2	1	6'-0" EXT. FRAME
3	1	1" OD P/C TUBE BRACING

**NOTE: SPECIFICATIONS ARE SUBJECT TO CHANGE**

DO NOT SCALE DRAWING

DATE: 8/25/09

DRAWN BY: AFS