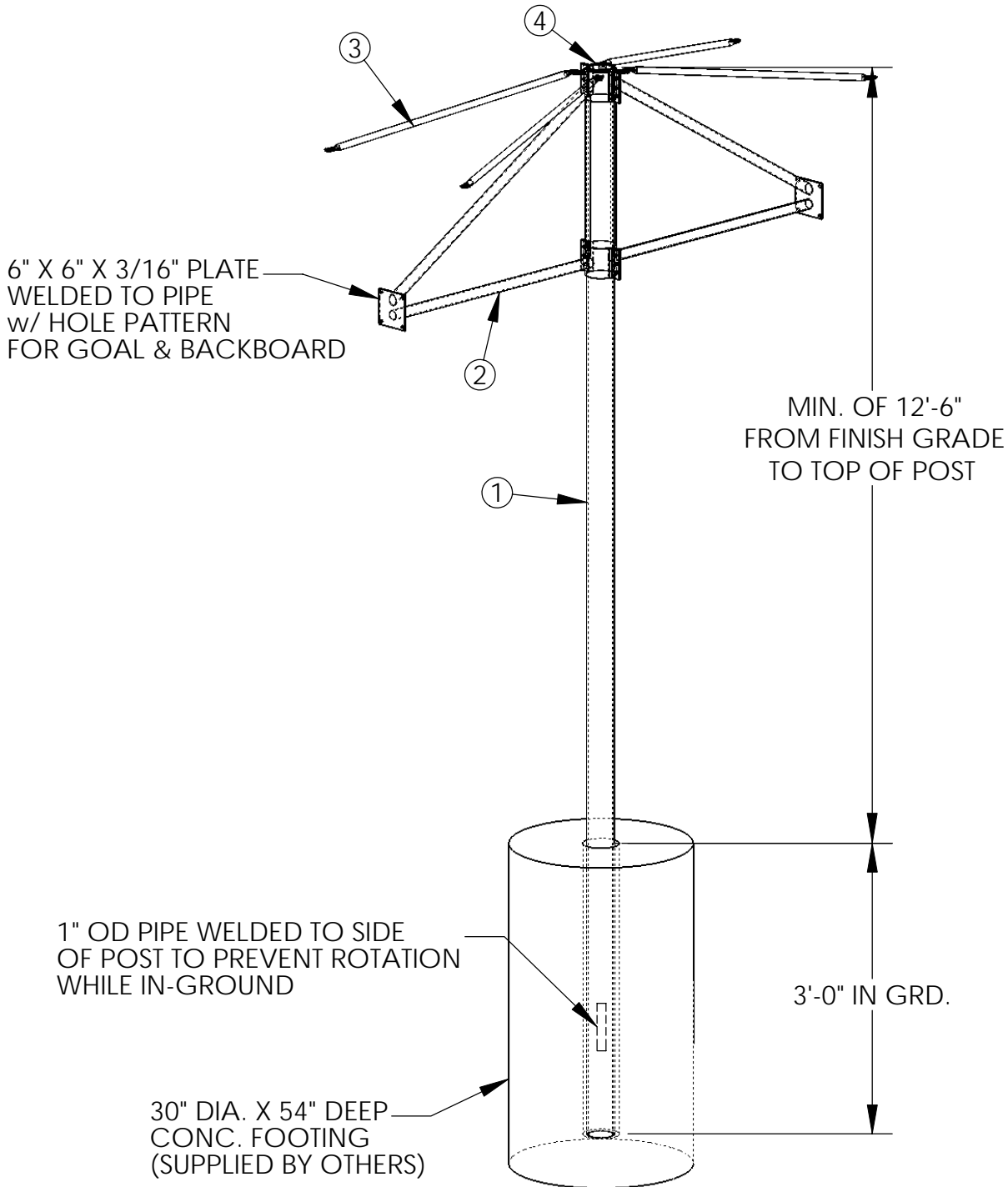


# STEELCRAFT PRODUCTS

P.O. Box 90365 - Pasadena, CA 91109  
 PHN 626-798-7401 FAX 626-798-1482

MODEL  
 12033PC  
 w/ FAN SHAPE EXT.  
 BASKETBALL POST

**NOTE: NUMBER OF BRACES VARIES BY MODEL OF BACKBOARD**



ITEM	QTY.	DESCRIPTION
1	1	3-1/2"OD POWDER COATED PIPE w/ 3'-0" EXT.
2	1	3'-0" EXT. FRAME
3	4	1" OD P/C TUBE BRACING
4	1	ALUMINUM POST CAP

**NOTE: SPECIFICATIONS ARE SUBJECT TO CHANGE**

DO NOT SCALE DRAWING

DATE: 5/18/06

DRAWN BY: AFS