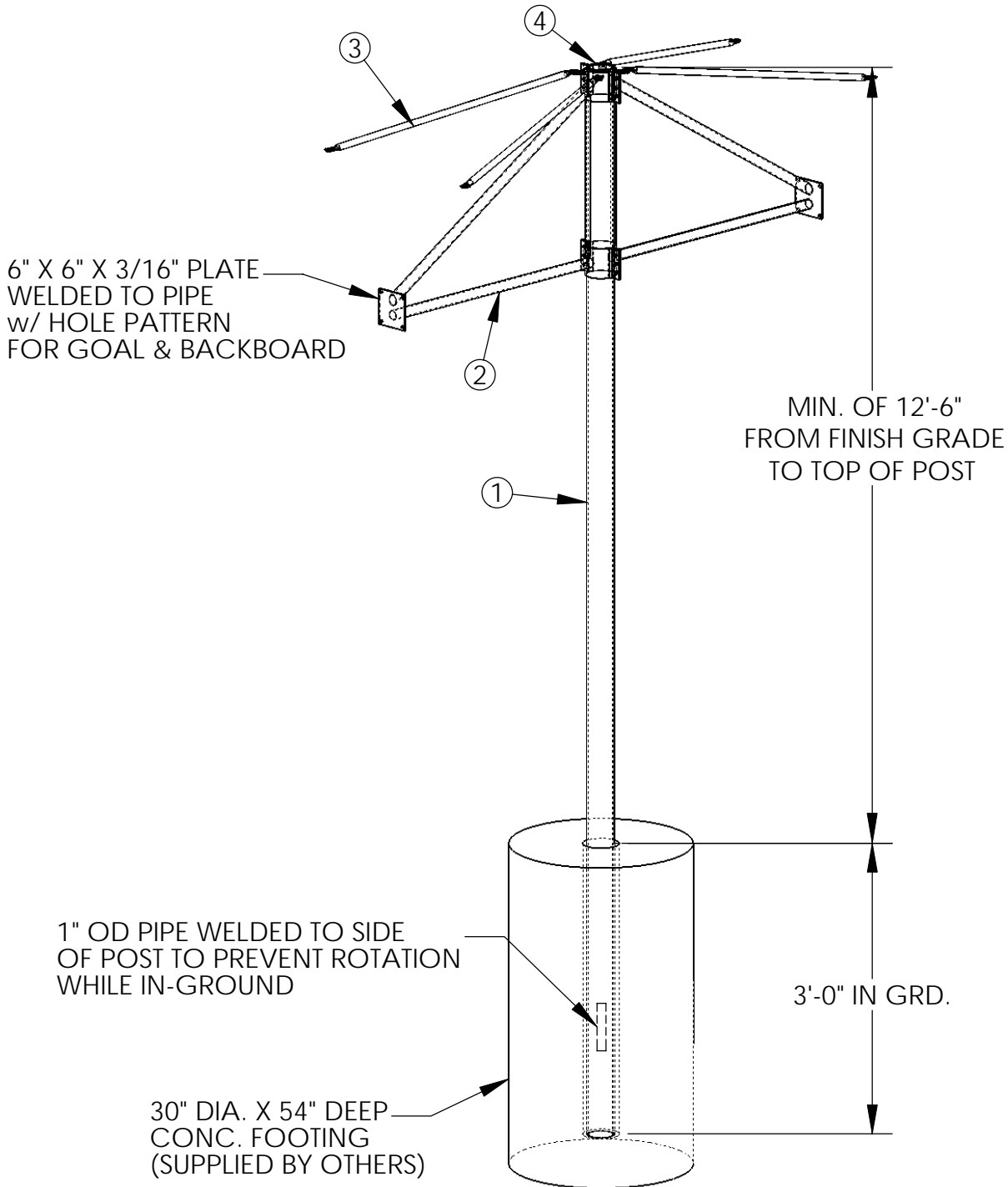


STEELCRAFT PRODUCTS

P.O. Box 90365 - Pasadena, CA 91109
 PHN 626-798-7401 FAX 626-798-1482

MODEL
 12033
 w/ FAN SHAPE EXT.
 BASKETBALL POST

NOTE: NUMBER OF BRACES VARIES BY MODEL OF BACKBOARD



ITEM	QTY.	DESCRIPTION
1	1	3-1/2" OD GALV. PIPE @ 15'-6" w/ 3'-0" EXT.
2	2	3'-0" EXT. FRAME
3	4	1" OD GALV. TUBE BRACING
4	1	ALUMINUM POST CAP

NOTE: SPECIFICATIONS ARE SUBJECT TO CHANGE

DO NOT SCALE DRAWING

DATE: 5/18/06

DRAWN BY: AFS