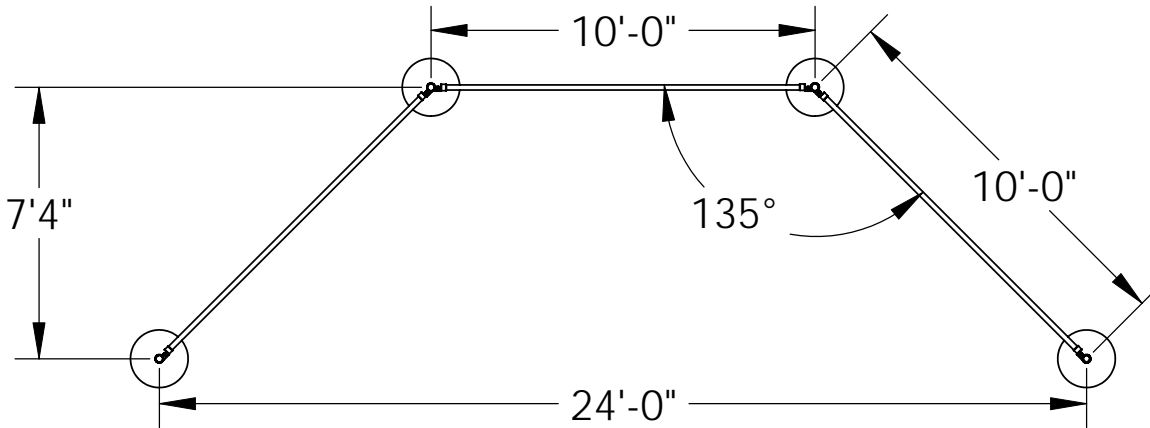


STEELCRAFT PRODUCTS

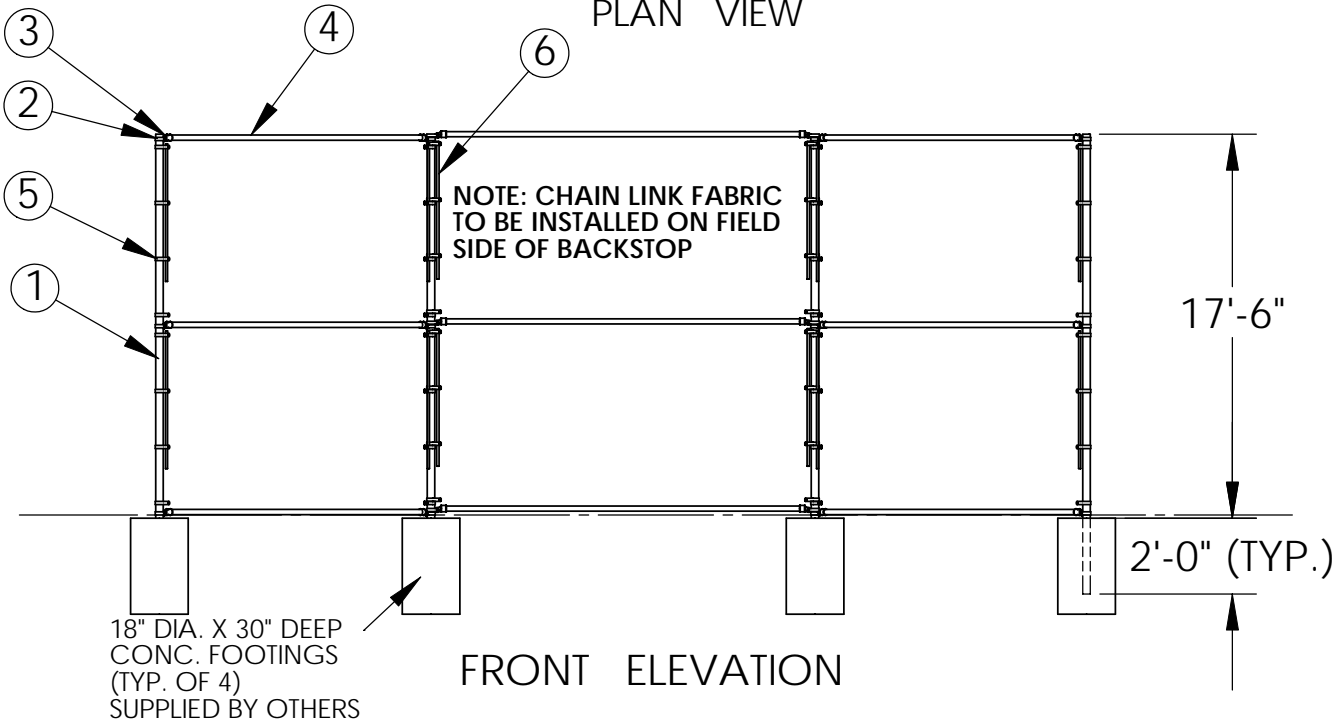
P.O. Box 90365 - Pasadena, CA 91109
PHN 626-798-7401 FAX 626-798-1482

MODEL
1024KD
BASEBALL
BACKSTOP

SHEET
1 OF 3



PLAN VIEW



FRONT ELEVATION

NOTE: SPECIFICATIONS ARE SUBJECT TO CHANGE

DO NOT SCALE DRAWING

DATE: 2/6/12

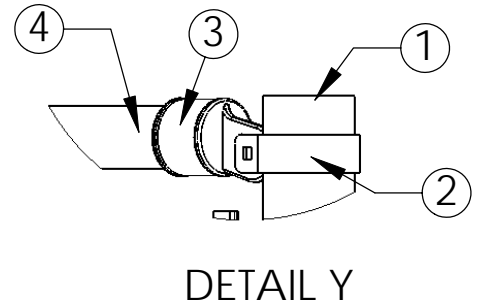
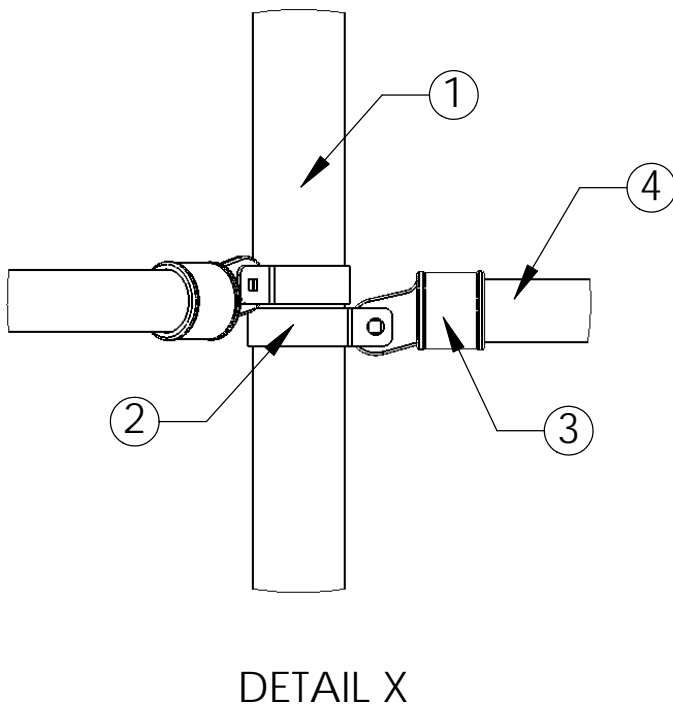
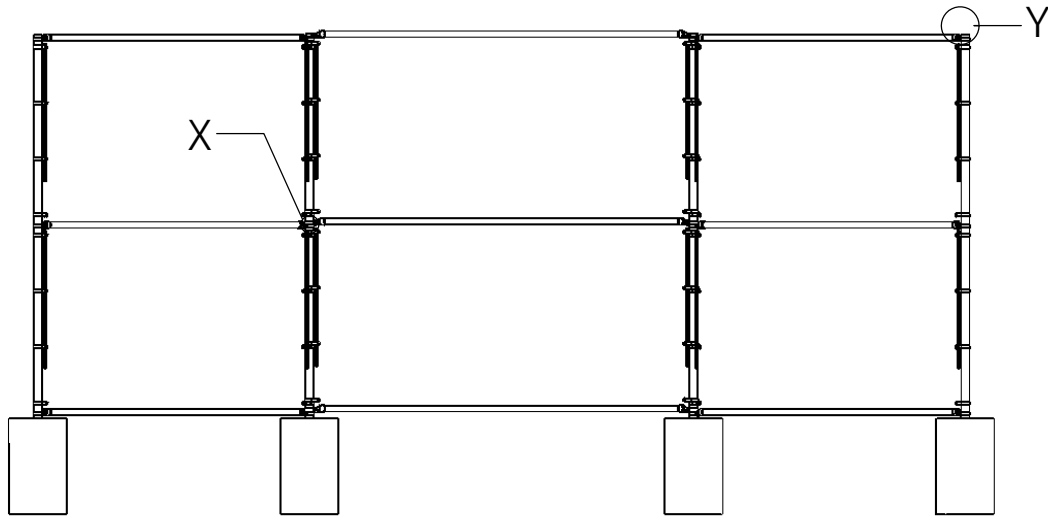
DRAWN BY: AFS

STEELCRAFT PRODUCTS

P.O. Box 90365 - Pasadena, CA 91109
PHN 626-798-7401 FAX 626-798-1482

MODEL
1024-KD
BASEBALL
BACKSTOP

SHEET
2 OF 3



NOTE: SPECIFICATIONS ARE SUBJECT TO CHANGE

DO NOT SCALE DRAWING

DATE: 2/6/12

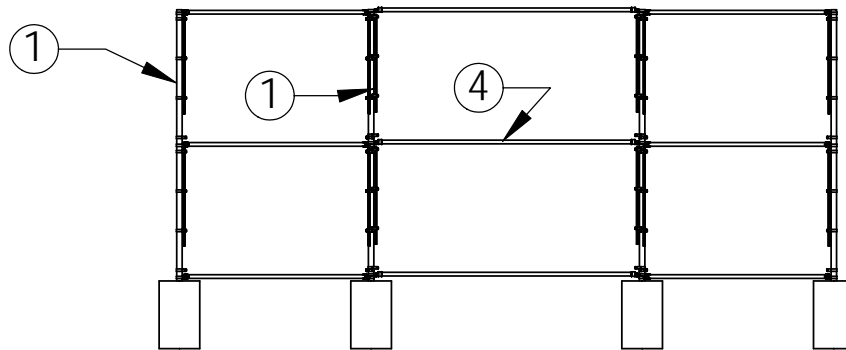
DRAWN BY: AFS

STEELCRAFT PRODUCTS

P.O. Box 90365 - Pasadena, CA 91109
PHN 626-798-7401 FAX 626-798-1482

MODEL
1024 KD
BASEBALL
BACKSTOP

SHEET
3 OF 3



ASSEMBLY INSTRUCTIONS

1. Dig four (4) holes @ 30" deep and 18" dia. as shown on the plan view.
2. Place two 2-3/8" od back posts "1" in the back holes.
3. Place two 2-3/8" od end posts "1" in the front holes.
4. Each post shall be 10'-0" above ground and 10'-0" on center. Place a horizontal brace "4" on the ground between each of the posts. Place a rail end fitting on each end of these braces. Place a brace band over each post adjacent to each rail end fitting. Bolt rail end fitting to the corresponding brace band. Make sure the horizontal brace fits into the rail end fittings at least 1". If they don't, adjust the posts accordingly.
**NOTE: All carriage bolt heads are facing the playing field.
5. With the proper spacing assured, plumb all posts and pour the concrete footings. Allow 24 hrs. for concrete to set and then proceed as follows.
6. Install horizontal braces "4" between the posts above ground. These braces can be installed in a manner similar to directions in item 4.
7. Unroll the 9 ga. wire from end of roll. Stretch the wire for measuring and open the knuckle on each side of the roll at 9'-7" and weave out one strand of wire.
8. Weave a tension bar through the last loops and place this wire against playing field side of one of the wing panels with the tension bars parallel to the uprights.
9. Stretch wire on the wing panels. Slip 6 tension bands over each post adjacent to the tension bars. The tension bars must be offset so that the wire will be stretched on the playing field side (inside) of the backstop. Equally space the 6 tension band up and down the posts on each side of the wire panel and bolt into position.

**NOTE: If the wire is too loose, remove a strand of wire as in item 7 above or, if the wire is too tight to fasten into position, reweave into panel, the strand of wire removed in item 7 above.
10. Stretch Wire Back Panel The back panel will be stretched in one piece between outside back posts "1". The length of the wire needed should be 3" shorter than the distance between the inside of the two posts. (Make sure wire is stretched when measuring)
11. Place this wire against the playing field side of the backstop with the tension bars parallel and adjacent to posts "1". Stretch and secure into position with 6 tension bands on each post.
12. Install and stretch wire in the opposite wing as described in items 8 and 9 above.
13. Use tie wire and tie all chain link to the adjacent horizontal braces at approx. 18" apart.
14. Tighten all set screws and bolts & nuts.