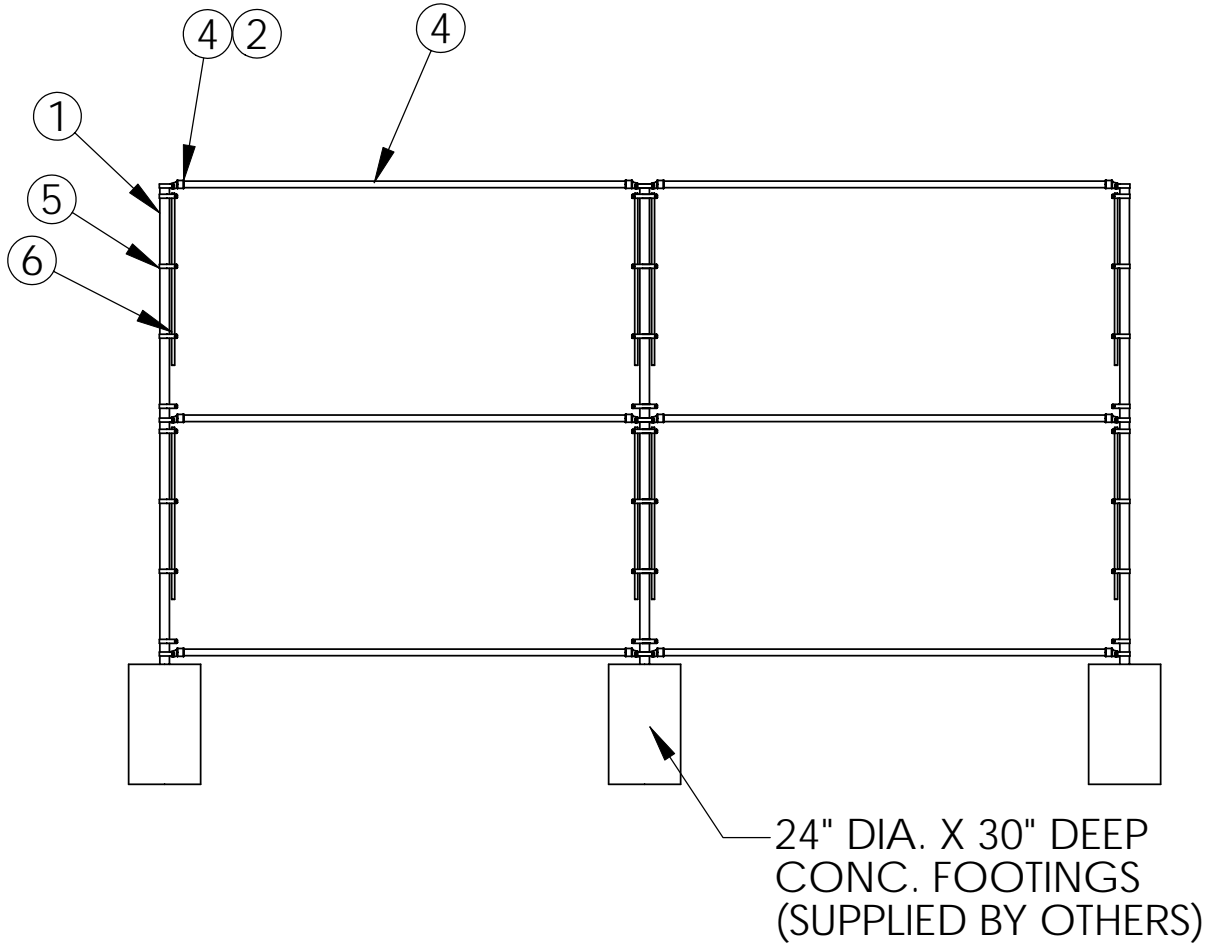


STEELCRAFT PRODUCTS

P.O. Box 90365 - Pasadena, CA 91109
 PHN 626-798-7401 FAX 626-798-1482

MODEL

1020 KD
 FENCING



ITEM	QTY.	PART NO.	DESCRIPTION
1	3	F04BS801	2-3/8" OD GALV. PIPE @ 12'-0"
2	12	P06BS802	BRACE BAND
3	12	P06BS801	RAIL END FITTING
4	6	F04BS802	1-5/8" OD GALV. PIPE @ 114-1/2"
5	32	P06BS810	2-3/8" TENSION BANDS
6	8	P06BS828	6'-8" TENSION BARS
7	1	P06BS991	10' OF 9ga CHAIN LINK FABRIC @ 20' WIDE

NOTE: SPECIFICATIONS ARE SUBJECT TO CHANGE

DO NOT SCALE DRAWING

DATE: 2/14/07

DRAWN BY: AFS