

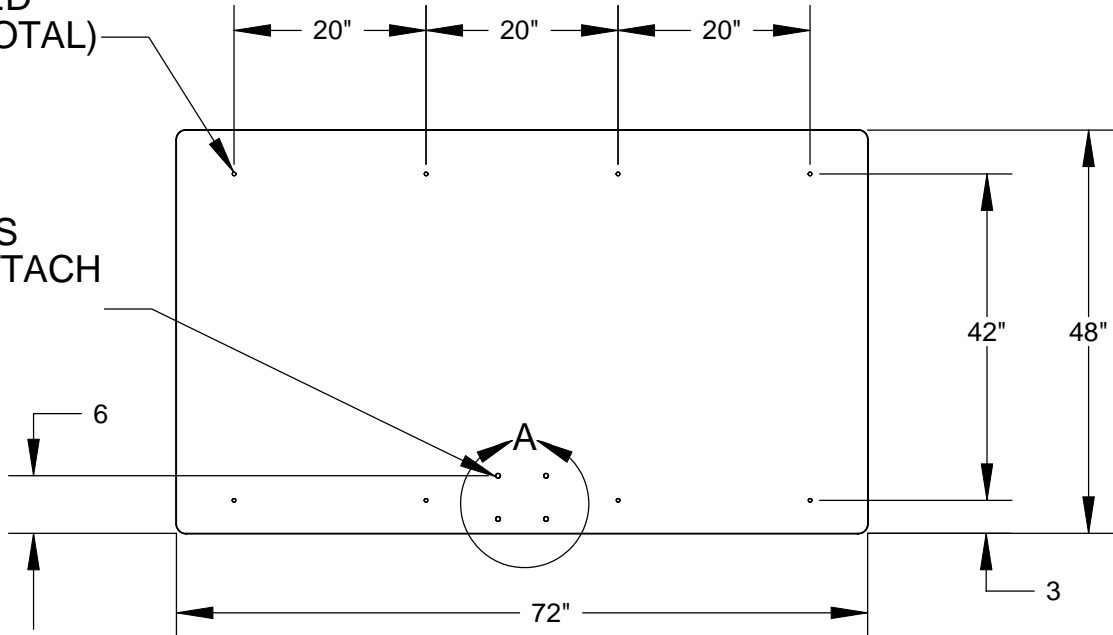
STEELCRAFT PRODUCTS

P.O. Box 90365 - Pasadena, CA 91109
 PHN 626-798-7401 FAX 626-798-1482

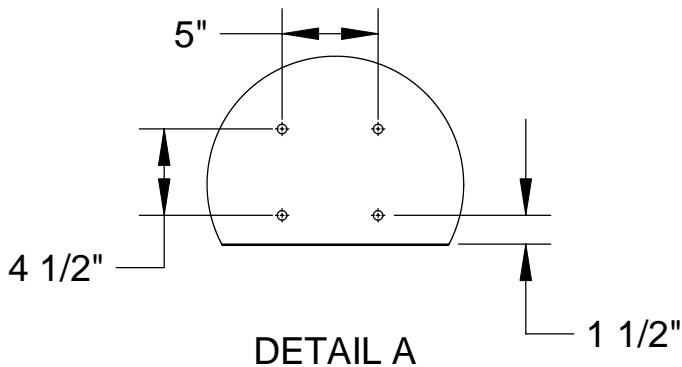
MODEL
 -09
 DELUXE FIBERGLASS
 BACKBOARD

3/8" THREADED
 INSERTS (8 TOTAL)

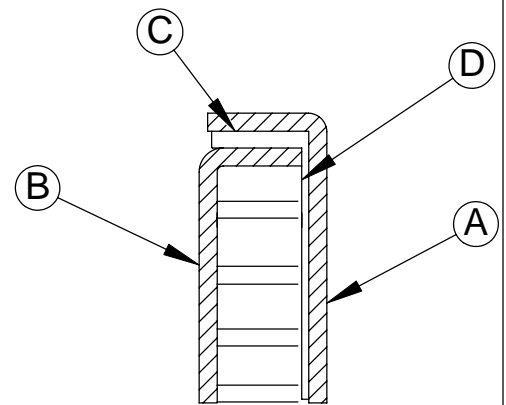
1/2" dia. HOLES
 FOR GOAL ATTACH
 (4 TOTAL)



BACK VIEW



DETAIL A



CROSS SECTION OF BACKBOARD

NOTE: THIS BACKBOARD USES ONE
 1-1/2" X 1-1/2" X 3/16 @ 64 ANGLE
 FOR TOP SUPPORT AND TWO
 1-1/2" X 1-1/2" X 3/16 @ 26 FOR
 BOTTOM SUPPORT
 (CUSTOM MOUNTING CONFIGURATION IS AVAILABLE)

ITEM	DESCRIPTION
A	FACE SHELL w/ GLASS CRAFT AND HI GLOSS GEL COAT
B	BACK SHELL w/ GLASS CRAFT AND HI GLOSS GEL COAT
C	THIXOTROPIC RESIN
D	HONEYCOMB CORE
E	3/8" X 5/8" X #18 TEE NUTS IN ALL FASTENING POINTS

NOTE: SPECIFICATIONS ARE SUBJECT TO CHANGE

DO NOT SCALE DRAWING

DATE: 9/22/08

DRAWN BY: AFS